

## FEATURES

- All fluids usable in aggressive environment
- Mechanical resistance
- Silicon free

# RS PRO In Line Flow REG 316L F-F 3/8

RS Stock No.: 2312711



RS PROfessionally Approved Products bring to you professional quality parts across all product categories. Our product range has been tested by engineers and provides a comparable quality to the leading brands without paying a premium price.

## Product Description

The RS PRO in line flow regulator 316L f-f 1/4 works in 0.2 bar to 25 bar pressure range. It is mainly used in chemical, petrochemical, life & sciences, inert gases and vacuum applications. It is also usable in salty environment and on machines that need frequent washing with aggressive detergents. RoHS and REACH compliant.

## General Specifications

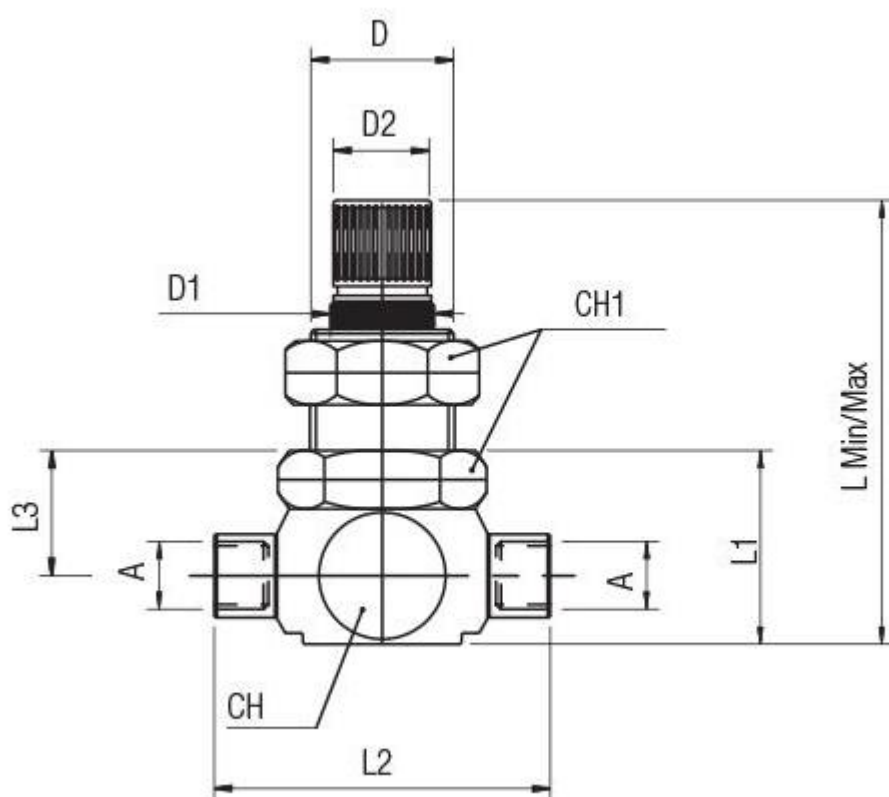
<b>Type</b>	Threaded
<b>Application</b>	Chemical, Petrochemical, Life & Sciences, Inert Gases And Vacuum Applications

## Mechanical Specifications

<b>Maximum Outlet Pressure</b>	25bar
<b>Length</b>	54.5mm

<b>Inlet Port</b>	
<b>Inlet Port Type</b>	3/8 in Female
<b>Tube Inlet Port</b>	3/8 in Female

<b>Outlet Port</b>	
<b>Tube Outlet Port</b>	Flow Regulator



A	L Min/Max	L1	L2	L3	CH	CH1	D	D1	D2	Pack.
3/8	111/125	55	66	36.5	36	32	25	23	20	2