

# MP Hybrid Connectors and Cable Assemblies

**multicomp** PRO

**RoHS  
Compliant**

**MP002498**

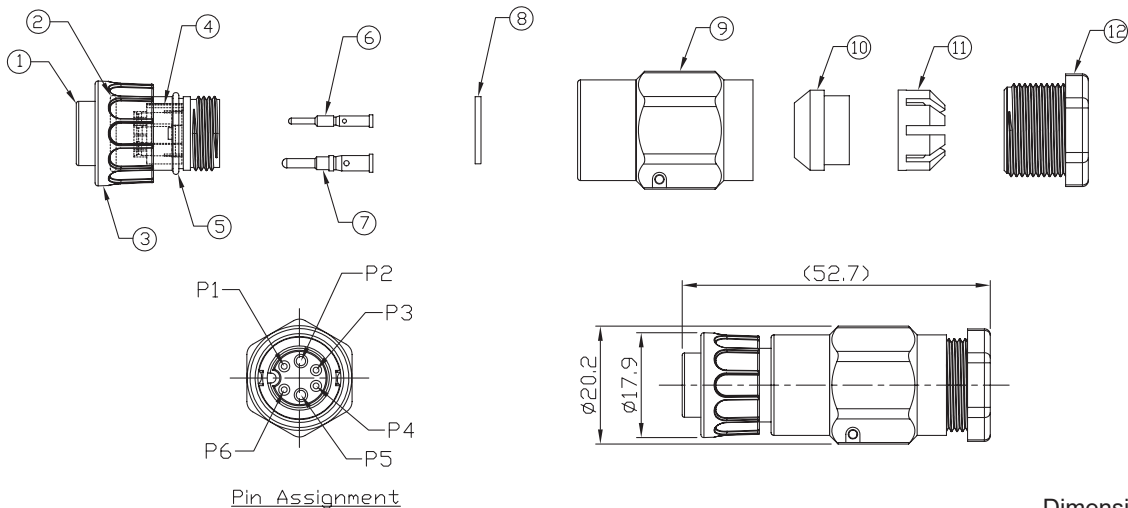
C2 5A+10A 4P+2P Field Install able Cable end Male Crimp Lock



## Specifications

IP Rating : IP67  
 Recommend Cable Diameter : 5mm to 6mm  
 Recommend Cover Torque : 6 to 7Kg-cm  
 Recommend Gland Nut Torque : 9 to 10Kg-cm

## Diagram



Pin Assignment

Dimensions : Millimetres

No.	Part Name	Material/Finish	Qty.
1	Housing	Thermoplastic; Colour: Black	1
2	O-Ring	Silicone; Colour: Red	
3	Lock Nut	Thermoplastic; Colour: Black	
4	Base	Thermoplastic; Colour: Black	
5	O-Ring	Silicone; Colour: Red	
6	Contacts (5A)	Copper Alloy; Finish: Au Plated	4
7	Contacts (10A)	Copper Alloy; Finish: Au Plated	2
8	Gasket	Silicone; Colour: Black	1
9	Cover	Thermoplastic; Colour: Black	
10	Gland	Silicone; Colour: Green	
11	Cage	Thermoplastic; Colour: White	
12	Gland Nut	Thermoplastic; Colour: Black	

**multicomp** PRO

# MP Hybrid Connectors and Cable Assemblies

**multicomp** PRO

## MP002499

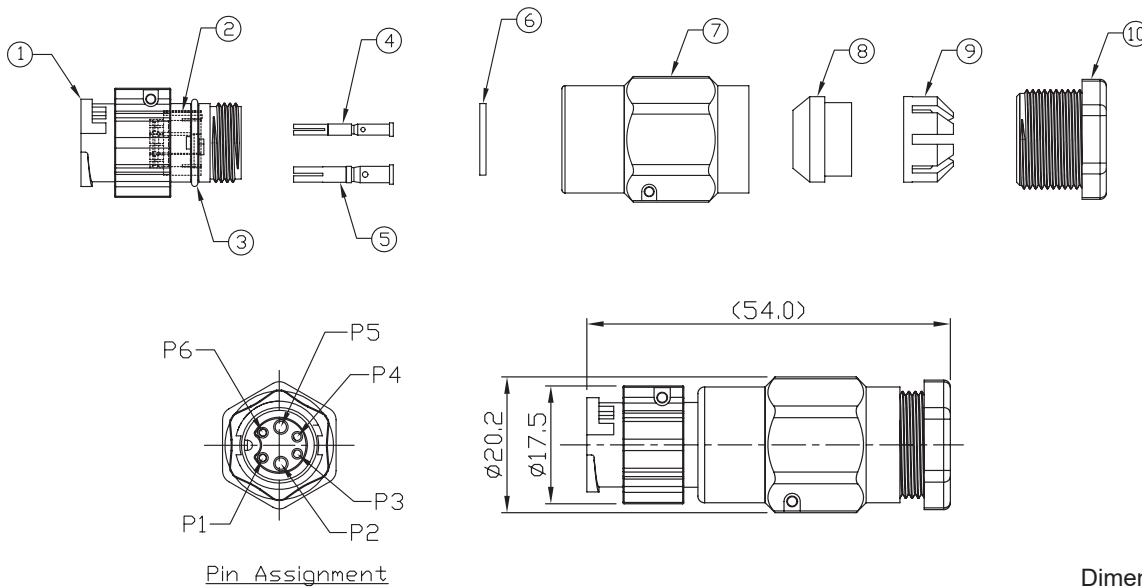
C2 5A+10A 4P+2P Field Install able Cable to Cable Female Crimp Lock



### Specifications

IP Rating	: IP67
Recommend Cable Diameter	: 5mm to 6mm
Recommend Cover Torque	: 6 to 7Kg-cm
Recommend Gland Nut Torque	: 9 to 10Kg-cm

### Diagram



No.	Part Name	Material/Finish	Qty.
1	Housing	Thermoplastic; Colour: Black	1
2	Base	Thermoplastic; Colour: Black	
3	O-Ring	Silicone; Colour: Red	
4	Contacts (5A)	Copper Alloy; Finish: Au Plated	4
5	Contacts (10A)	Copper Alloy; Finish: Au Plated	2
6	Gasket	Silicone; Colour: Black	1
7	Cover	Thermoplastic; Colour: Black	
8	Gland	Silicone; Colour: Green	
9	Cage	Thermoplastic; Colour: White	
10	Gland Nut	Thermoplastic; Colour: Black	

Newark.com/multicomp-pro  
Farnell.com/multicomp-pro  
Element14.com/multicomp-pro

**multicomp** PRO

# MP Hybrid Connectors and Cable Assemblies

**multicomp** PRO

## MP002500

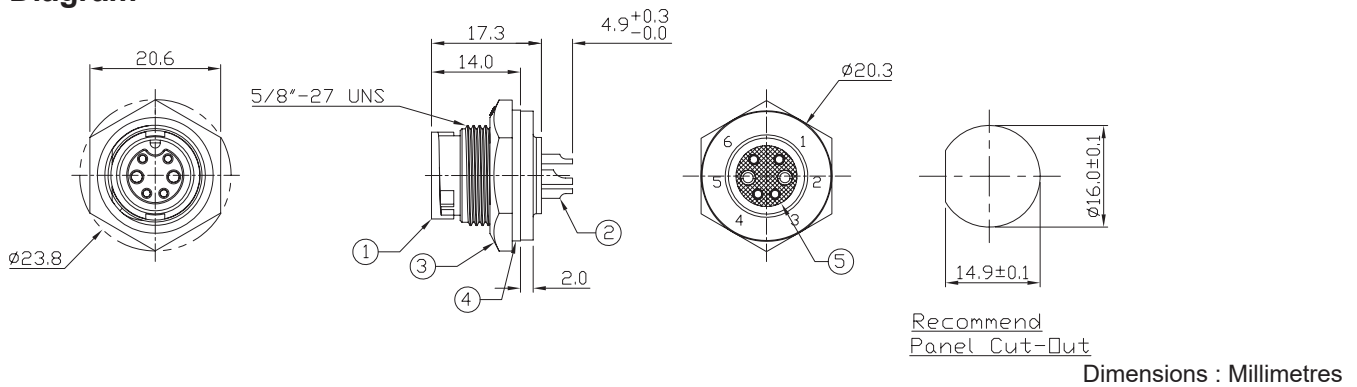
C2 5A+10A 6P Panel Female Solder Lock



### Specifications

IP Rating : IP67  
 Recommend Panel Thickness : 0.8mm to 4mm  
 Recommend Torque : 9 to 10Kg-cm

### Diagram



No.	Part Name	Material/Finish	Qty.
1	Housing	Thermoplastic; Colour: Black	1
2	Contacts	Copper Alloy; Finish: Au Plated	6
3	Hex Nut	Thermoplastic; Colour: Black	1
4	Gasket	Silicone; Colour: Black	
5	Glue	Epoxy; Colour: Black	-

**multicomp** PRO

# MP Hybrid Connectors and Cable Assemblies

**multicomp** PRO

## MP002501

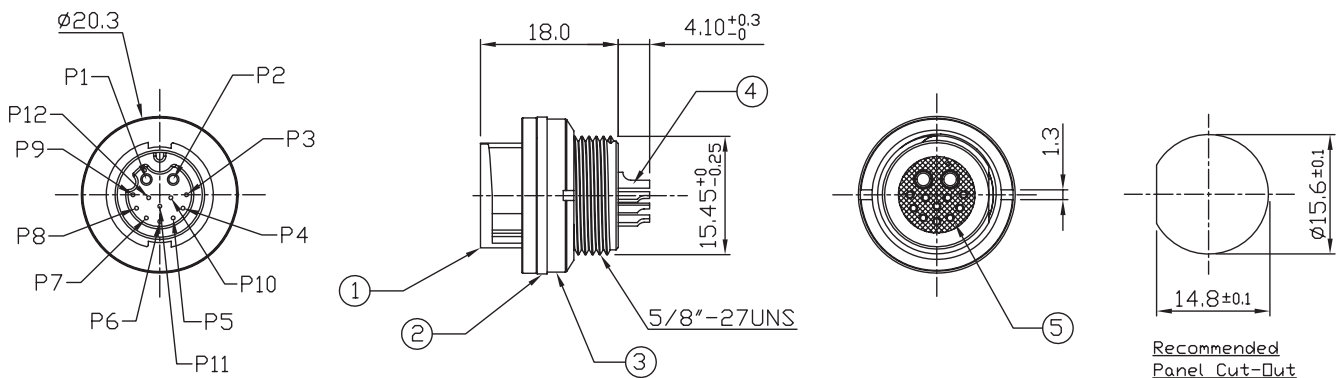
C2 10A+1A 2P+10P Panel Rear Mount Female Solder Lock (Code A)



### Specifications

IP Rating : IP67  
 Recommend Panel Thickness : 0.8mm to 4mm  
 Recommend Torque : 9 to 10Kgf-cm

### Diagram



Dimensions : Millimetres

No.	Part Name	Material/Finish	Qty.
1	Housing	Thermoplastic; Colour: Black	1
2	Gasket	Silicone; Colour: Black	
3	Spanner Nut	Thermoplastic; Colour: Black	
4	Contacts	Copper Alloy; Finish: Au Plated	12
5	Glue	Epoxy; Colour: Black	-

Newark.com/multicomp-pro  
 Farnell.com/multicomp-pro  
 Element14.com/multicomp-pro

**multicomp** PRO

# MP Hybrid Connectors and Cable Assemblies

## MP002502

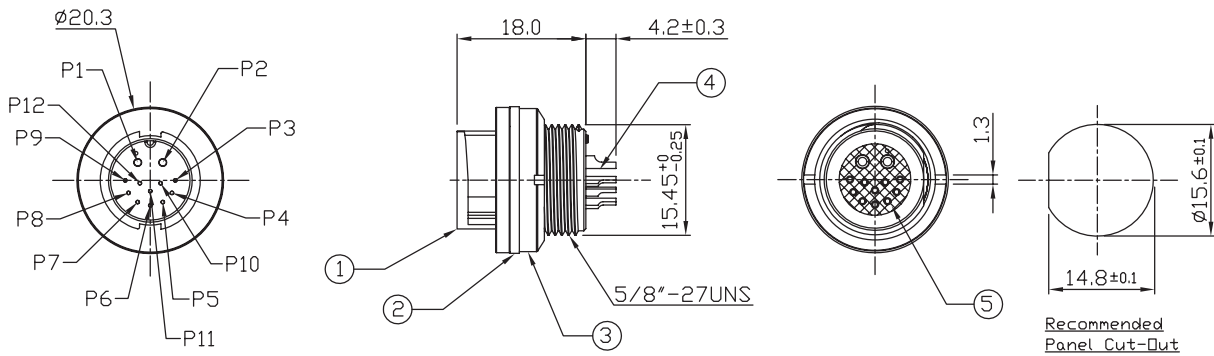
C2 10A+1A 2P+10P Panel Rear Mount Male Solder Lock (Code A)



### Specifications

IP Rating : IP67  
 Recommend Panel Thickness : 0.8mm to 3.5mm  
 Recommend Torque : 9 to 10Kgf-cm

### Diagram



Dimensions : Millimetres

No.	Part Name	Material/Finish	Qty.
1	Housing	Thermoplastic; Colour: Black	1
2	Gasket	Silicone; Colour: Black	
3	Spanner Nut	Thermoplastic; Colour: Black	
4	Contacts	Copper Alloy; Finish: Au Plated	12
5	Glue	Epoxy; Colour: Black	-

# MP Hybrid Connectors and Cable Assemblies

## MP002503

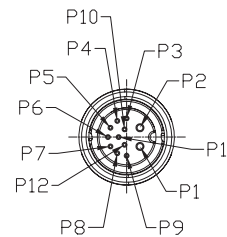
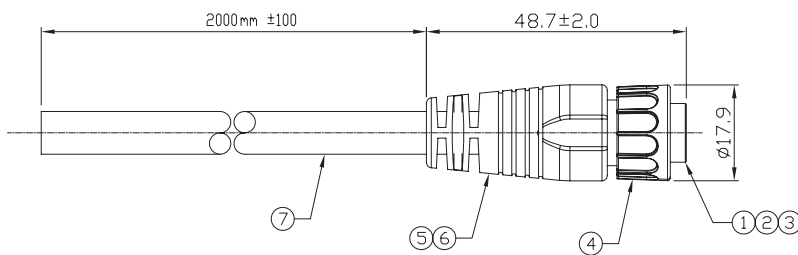
C2 10A+1A 2P+10P Cable end Female Lock (Code A)



### Specification

IP Rating : IP67

### Diagram



1	Black
2	Red
3	Brown
4	Orange
5	Yellow
6	Green
7	Blue
8	Purple
9	Gray
10	White
11	Pink
12	Black/White

Wiring Diagram

No.	Part Name	Material/Finish	Qty.
1	Housing	Thermoplastic; Colour: Black	1
2	Contacts	Copper Alloy; Finish: Au Plated	12
3	O-Ring	Silicone; Colour: Red	1
4	Lock Nut	Thermoplastic; Colour: Black	
5	Inner Mold	Thermoplastic; Colour: White or Black	
6	Over Mold	PVC; Colour: Black	
7	Cable	UL2464 18AWG×2C+26AWG×10C+D+AL/My, OD=8mm; Colour: Black	

Dimensions : Millimetres

# MP Hybrid Connectors and Cable Assemblies

## MP002504

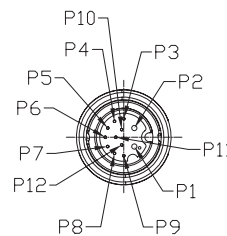
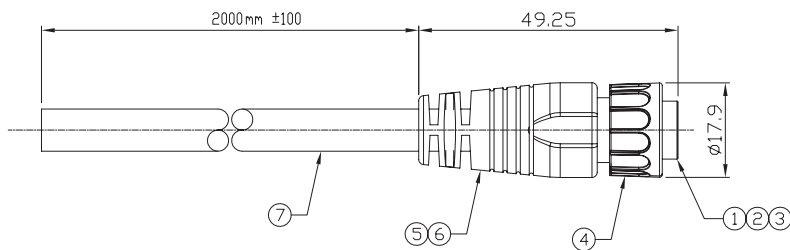
C2 10A+1A 2P+10P Cable end Male Lock (Code A)



### Specification

IP Rating : IP67

### Diagram



1	Black
2	Red
3	Brown
4	Orange
5	Yellow
6	Green
7	Blue
8	Purple
9	Gray
10	White
11	Pink
12	Black/White

Wiring Diagram

Dimensions : Millimetres

No.	Part Name	Material/Finish	Qty.
1	Housing	Thermoplastic; Colour: Black	1
2	Contacts	Copper Alloy; Finish: Au Plated	12
3	O-Ring	Silicone; Colour: Red	1
4	Lock Nut	Thermoplastic; Colour: Black	
5	Inner Mold	Thermoplastic; Colour: White or Black	
6	Over Mold	PVC; Colour: Black	
7	Cable	UL2464 18AWG×2C+26AWG×10C+D+AL/My, OD=8mm; Colour: Black	

# MP Hybrid Connectors and Cable Assemblies

**multicomp** PRO

## MP002505

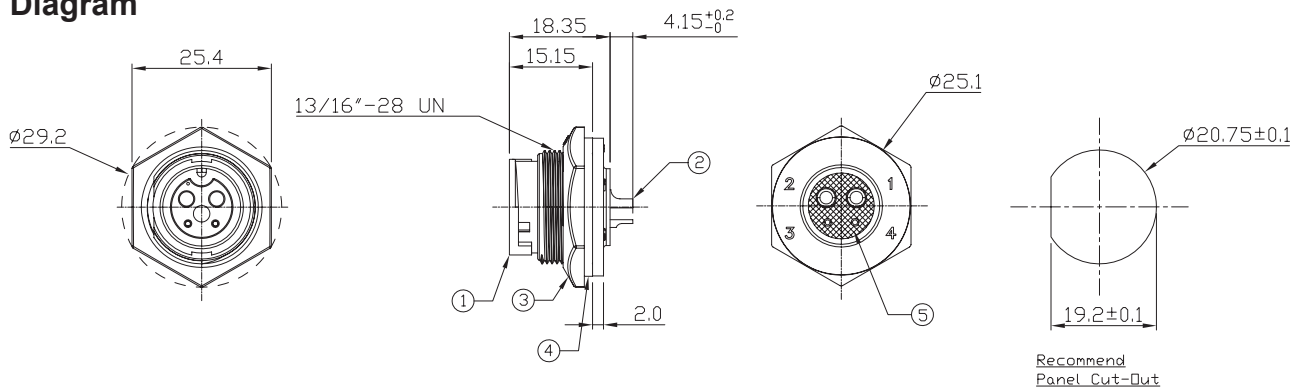
Hybrid C3 15A+2A 2P+2P Panel Female Solder Lock



### Specifications

IP Rating : IP67  
 Recommend Panel Thickness : 0.8mm to 4mm  
 Recommend Torque : 6 to 7Kgf-cm

### Diagram



Dimensions : Millimetres

No.	Part Name	Material/Finish	Qty.
1	Housing	Thermoplastic; Colour: Black	1
2	Contacts	Copper Alloy; Finish: Au Plated	4
3	Hex Nut	Thermoplastic; Colour: Black	1
4	Gasket	Silicone; Colour: Black	
5	Glue	Epoxy; Colour: Black	-

**multicomp** PRO



# MP Hybrid Connectors and Cable Assemblies

**multicomp** PRO

## MP002506

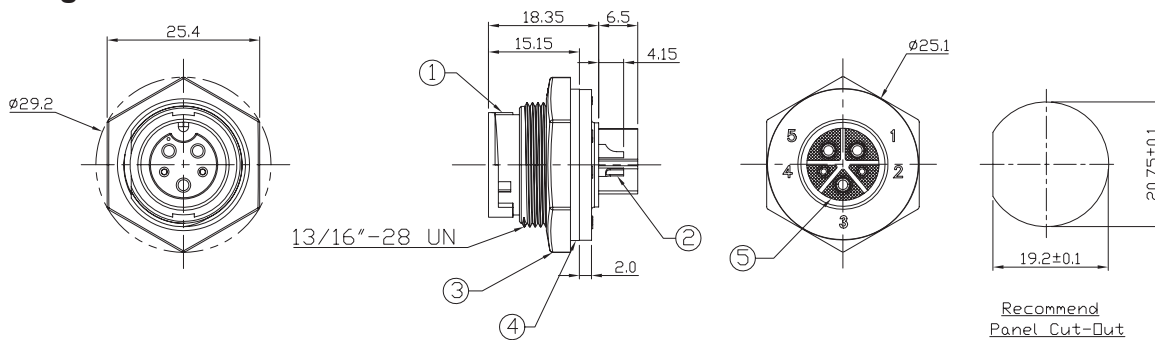
C3 10A+2A 3P+2P Panel Female Solder Lock



### Specifications

IP Rating : IP67  
 Recommend Panel Thickness : 0.8mm to 4mm  
 Recommend Torque : 6 to 7Kgf-cm

### Diagram



Dimensions : Millimetres

No.	Part Name	Material/Finish	Qty.
1	Housing	Thermoplastic; Colour: Black	1
2	Contacts	Copper Alloy; Finish: Au Plated	5
3	Hex Nut	Thermoplastic; Colour: Black	1
4	Gasket	Silicone; Colour: Black	
5	Glue	Epoxy; Colour: Black	-

**multicomp** PRO

# MP Hybrid Connectors and Cable Assemblies

## MP002507

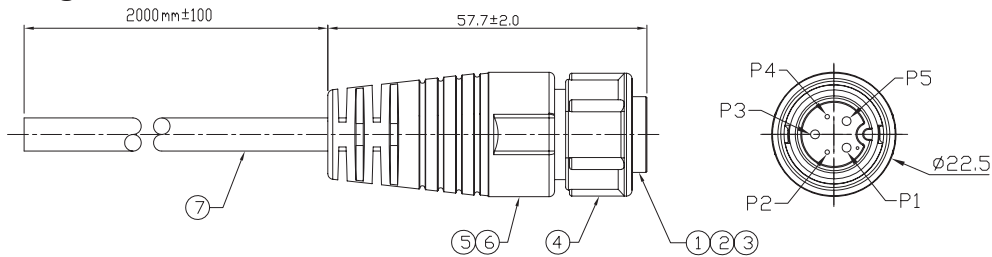
Hybrid C3 10A+2A 3P+2P Cable End Male Lock with PU Cable



### Specification

IP Rating : IP67

### Diagram



1	Black
2	Orange
3	Brown
4	Yellow
5	Red

Wiring Diagram

Dimensions : Millimetres

No.	Part Name	Material/Finish	Qty.
1	Housing	Thermoplastic; Colour: Black	1
2	Contacts	Copper Alloy; Finish: Au Plated	5
3	O-Ring	Silicone; Colour: Red	1
4	Lock Nut	Thermoplastic; Colour: Black	
5	Inner Mold	Thermoplastic; Colour: White or Black	
6	Over Mold	TPE; Colour: Black	
7	Cable	UL20549 16AWG×3C+26AWG×2C+Al/My+D OD=6.9mm, PU, Colour: Black	

# MP Hybrid Connectors and Cable Assemblies

## MP002508

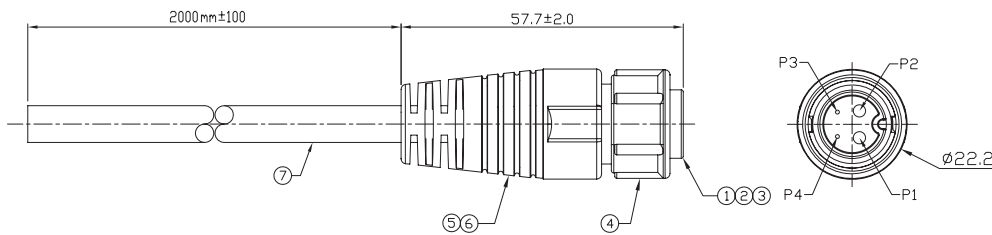
Hybrid C3 15A+2A 2P+2P Cable End Male Lock



### Specification

IP Rating : IP67

### Diagram



1	Red
2	Brown
3	Blue
4	White

Wiring Diagram

Dimensions : Millimetres

No.	Part Name	Material/Finish	Qty.
1	Housing	Thermoplastic; Colour: Black	1
2	Contacts	Copper Alloy; Finish: Au Plated	4
3	O-Ring	Silicone; Colour: Red	1
4	Lock Nut	Thermoplastic; Colour: Black	
5	Inner Mold	Thermoplastic; Colour: White or Black	
6	Over Mold	PVC; Colour: Black	
7	Cable	UL20549 16AWG×3C+26AWG×2C+Al/My+D OD=7.5mm, PU, Colour: Black	

## Part Number Table

Description	Part Number
Circular Connector, 4P+2P, Male, IP67	MP002498
Circular Connector, 4P+2P, Female, IP67	MP002499
Circular Connector, 2P+10P, Female Panel Rear Mount, IP67	MP002501
Circular Connector, 2P+10P, Male Panel Rear Mount, IP67	MP002502
Circular Cable Assembly 10P + 2P Female C2 Panel to Free End, Black, 2m, IP67	MP002503
Circular Cable Assembly 10P + 2P Male C2 Panel to Free End, Black, 2m, IP67	MP002504
Hybrid Circular Connector, 2P+2P, Female, C3 Panel Mount, IP67	MP002505
Circular Connector, 3P+2P, Female, C2 Panel Mount, IP67	MP002506
Circular Cable Assembly, 3P + 2P Male C3 Panel to Free End, Black, 2m, IP67	MP002507
Circular Cable Assembly, 2P + 2P Male C3 Panel to Free End, Black, 2m, IP67	MP002508
Circular Connector, 4P+2P, Female, C2 Panel Mount, IP67	MP002500

**Important Notice :** This data sheet and its contents (the "Information") belong to the members of the AVNET group of companies (the "Group") or are licensed to it. No licence is granted for the use of it other than for information purposes in connection with the products to which it relates. No licence of any intellectual property rights is granted. The Information is subject to change without notice and replaces all data sheets previously supplied. The Information supplied is believed to be accurate but the Group assumes no responsibility for its accuracy or completeness, any error in or omission from it or for any use made of it. Users of this data sheet should check for themselves the Information and the suitability of the products for their purpose and not make any assumptions based on information included or omitted. Liability for loss or damage resulting from any reliance on the Information or use of it (including liability resulting from negligence or where the Group was aware of the possibility of such loss or damage arising) is excluded. This will not operate to limit or restrict the Group's liability for death or personal injury resulting from its negligence. Multicomp Pro is the registered trademark of Premier Farnell Limited 2019.