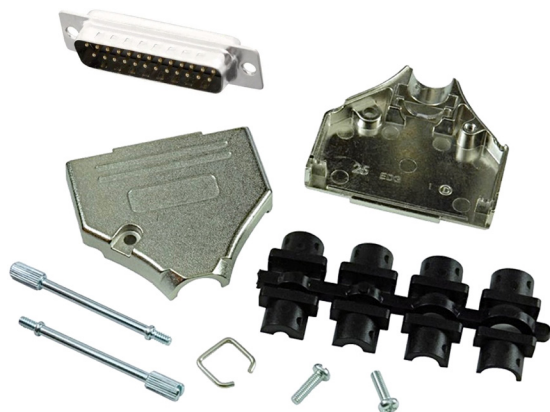


D-Sub Connector With Backshell Kit, 25 Ways

multicomp^{PRO}

RoHS
Compliant



Specification

Backshell Material

Backshell	: Die Cast Zinc Alloy
Plating	: Nickel
Jackscrews	: Steel, Zinc Plated
M3 Hoodscrews	: Steel, Zinc Plated
Compression Insert	: ABS, UL Recognized
Compression Spring	: Steel, Nickel Plated
Operating Temperature	: -40°C to +120°C

Connector Material

Shell	: Steel Material, Tin Plated Finished
Insulator	: PBT Thermoplastic, 30% Glass Filled, UL 94V-0 Rated, Black Colour
Contact Material	: Brass
Contact Finish	: GF Plated

Electrical Characteristics

Contact Current Rating	: 5A
Contact Resistance	: 30mΩ max
Dielectric Withstanding Voltage	: 1000V AC min
Insulation Resistance	: 5000MΩ min
Temperature Rating	: -55°C to +105°C

Backshell Kit Includes

Backshell Halves	: 02 pcs
4-40 Thumbscrews	: 02 pcs
Housing Screws	: 02 pcs
Set Of Compression Inserts - Various Sizes Diameters 4mm (0.157"), 5mm (0.167"), 7mm (0.276"), 9mm (0.354")	: 01 pc
Compression Spring	: 01 pc

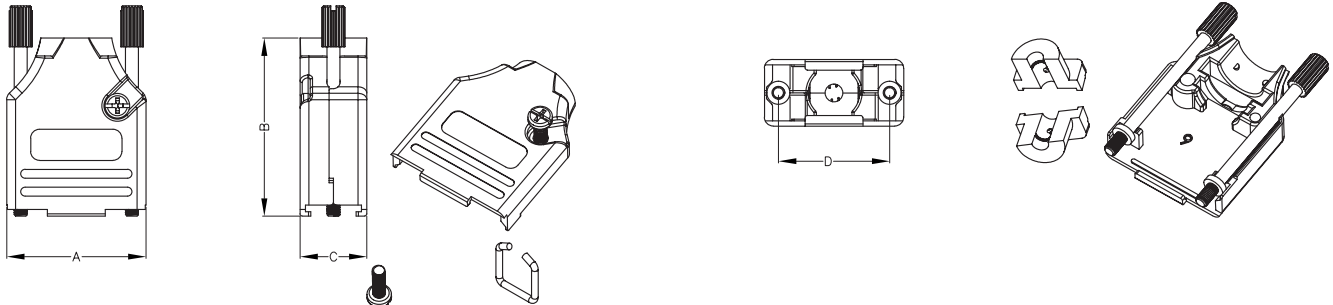
Newark.com/multicomp-pro
Farnell.com/multicomp-pro
sg.element14.com/b/multicomp-pro

multicomp^{PRO}

D-Sub Connector With Backshell Kit, 25 Ways

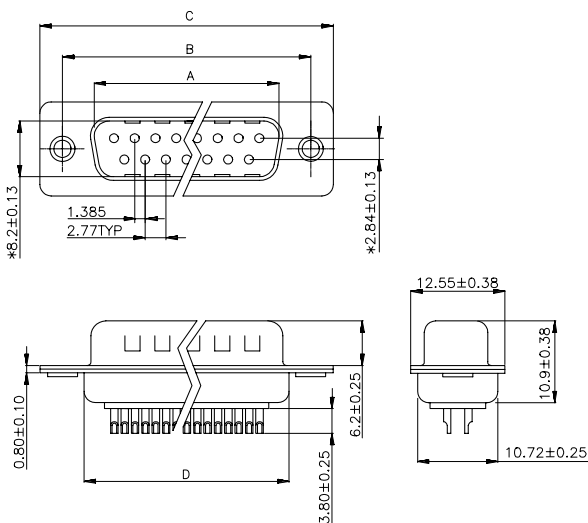
multicomp PRO

Diagram



Dimensions

Size	A ± 0.5 (± 0.02)	B ± 0.5 (± 0.02)	C ± 0.5 (± 0.02)	D ± 0.25 (± 0.01)
25	53.4 (2.102)	48.6 (1.913)	15 (0.591)	47.04 (1.852)



Part Number	A ± 0.25	B ± 0.13	C ± 0.38	D ± 0.25
MP013646	38.96	47.04	53.04	41.28

Part Number Table

Description	Part Number
D-Sub Connector with Backshell Kit, 25 Ways, Plug	MP013646

Dimensions : Millimetres (Inches)

Important Notice : This data sheet and its contents (the "Information") belong to the members of the AVNET group of companies (the "Group") or are licensed to it. No licence is granted for the use of it other than for information purposes in connection with the products to which it relates. No licence of any intellectual property rights is granted. The Information is subject to change without notice and replaces all data sheets previously supplied. The Information supplied is believed to be accurate but the Group assumes no responsibility for its accuracy or completeness, any error in or omission from it or for any use made of it. Users of this data sheet should check for themselves the Information and the suitability of the products for their purpose and not make any assumptions based on information included or omitted. Liability for loss or damage resulting from any reliance on the Information or use of it (including liability resulting from negligence or where the Group was aware of the possibility of such loss or damage arising) is excluded. This will not operate to limit or restrict the Group's liability for death or personal injury resulting from its negligence. Multicomp Pro is the registered trademark of Premier Farnell Limited 2019.

Newark.com/multicomp-pro
Farnell.com/multicomp-pro
sg.element14.com/b/multicomp-pro

multicomp PRO