

FEATURES

- All fluids usable in aggressive environment
- Mechanical resistance
- Silicon free

RS PRO Quick Exhaust Valve 316L PU F-F 3/8

RS Stock No.: 2312700



RS PROfessionally Approved Products bring to you professional quality parts across all product categories. Our product range has been tested by engineers and provides a comparable quality to the leading brands without paying a premium price.

Product Description

The RS PRO quick exhaust valve 316L pu f-f 3/8 works in 0.2 bar to 25 bar pressure range. It is mainly used in chemical, petrochemical, life & sciences, inert gases and vacuum applications. It is also usable in salty environment and on machines that need frequent washing with aggressive detergents. RoHS and REACH compliant.

General Specifications

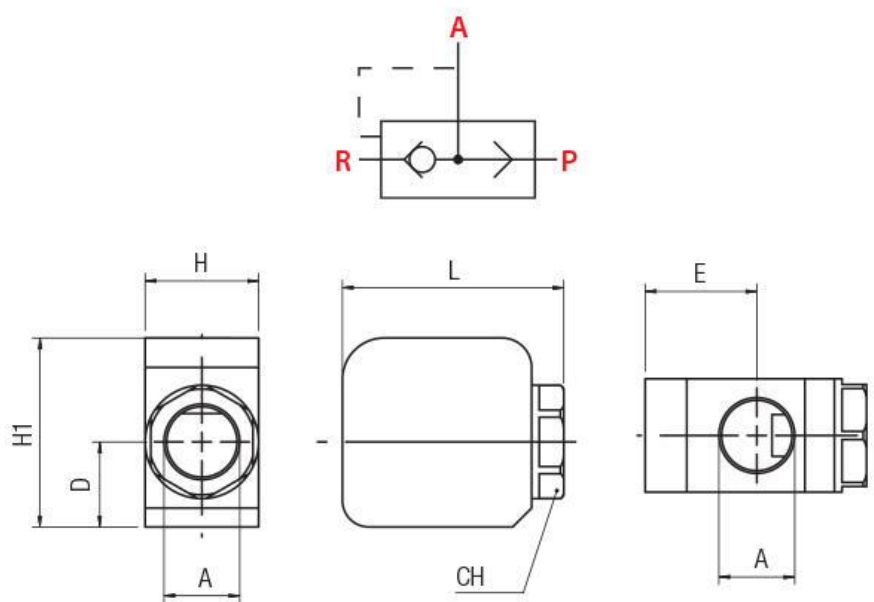
Built-In Silencer	3/8
Application	Chemical, Petrochemical, Life & Sciences, Inert Gases And Vacuum Applications

Mechanical Specifications

Connection Type	3/8 in Female
Threaded Connection Size	Quick Exhaust Valve
Maximum Operating Pressure	25bar
Minimum Operating Pressure	0.2bar

Similar Products

Parameters	2312699	2312698
Brand	RS PRO	RS PRO
Built-In Silencer	1/8	1/4
Connection Type	1/8 in Female	1/4 in Female
Threaded Connections	Quick Exhaust Valve	Quick Exhaust Valve



A	H	L	H1	E	D	CH	DN	Pack
3/8	24	50	43	24	20	21	10	2