

FEATURES

- Compact Mounting
- High Performance
- Single Phase Input
- Reliable
- Led Indicators

RS PRO DIN Rail Power Supply - 230V ac Input Voltage, 24V dc Output Voltage, 1.3A Output Current, 30W

RS Stock No.: 136-8308



RS Professionally Approved Products bring to you professional quality parts across all product categories. Our product range has been tested by engineers and provides a comparable quality to the leading brands without paying a premium price.

Product Description

From RS Pro a range of high-performance power supplies in a compact 35mm DIN rail mounting package for convenience and space saving. These DIN rail mount power supplies are available with a range of power ratings from 15W to 240W and accept single-phase AC input for conversion into a single DC output of either 12V, 15V, 24V or 48V DC.

General Specifications

Type	Switch Mode
AC or DC Input Voltage	230VAC
AC or DC Output Voltage	24VDC
Number of Outputs	1
Special Features	Compact Size, Cooling by Free Air Convection, LED Indicator for DC Low, LED Indicator for DC Power On, 3-Years Warranty, 100% Full Load Burn-In Test
Mounting Type	DIN Rail, Vertical Mount
Short Circuit Protection	Yes
Over Voltage Protection	Yes
Indication of Output Voltage	LED, continuous green light
Applications	Sensors, Transmitters/receivers, Analyzers, PLCs Motors, Actuators, Solenoids, Relays

Electrical Specifications

RS Stock#	Input Voltage	Output Voltage	Output Current	Output Wattage	Efficiency (Typ)
136-8304	100VAC– 240VAC	+ 5VDC	5A	25W	78%
136-8305	100VAC– 240VAC	+ 12VDC	2.5A	30W	83%
136-8306	100VAC– 240VAC	+ 15VDC	2.0A	30W	82%
136-8308	100VAC– 240VAC	+ 24VDC	1.3A	30W	87%

Input Specifications		
Input Electrical Phase	Single	
Input current	0.35	
Line Frequency	47 to 63Hz	
Inrush current at 25°C 230V	60A	
Efficiency (Typ.)	87%	
Output Specifications		
Output Voltage Adjustment	23.5V – 24.5V	
Ripple and Noise	46mV	
Hold Up Time	20ms/115VAC	
Line Regulation	1%	
Load Regulation	1%	
Voltage Isolation	Input-Output	3000VAC
	Input-Ground	1500VAC
	Output-Ground	500VAC
Surge Voltage	2kV	
MTBF	200Khrs	

Mechanical Specifications

Height	95mm
Depth	108mm
Width	36mm
Weight	250g
Dimensions	36mm x 95mm x 108mm

Operation Environment Specifications

Operating Humidity	20% to 95% RH
Operating Temperature Range	-35°C to 70°C
Storage Temperature Range	-40 to 85°C
Cooling	Natural convection

Approvals

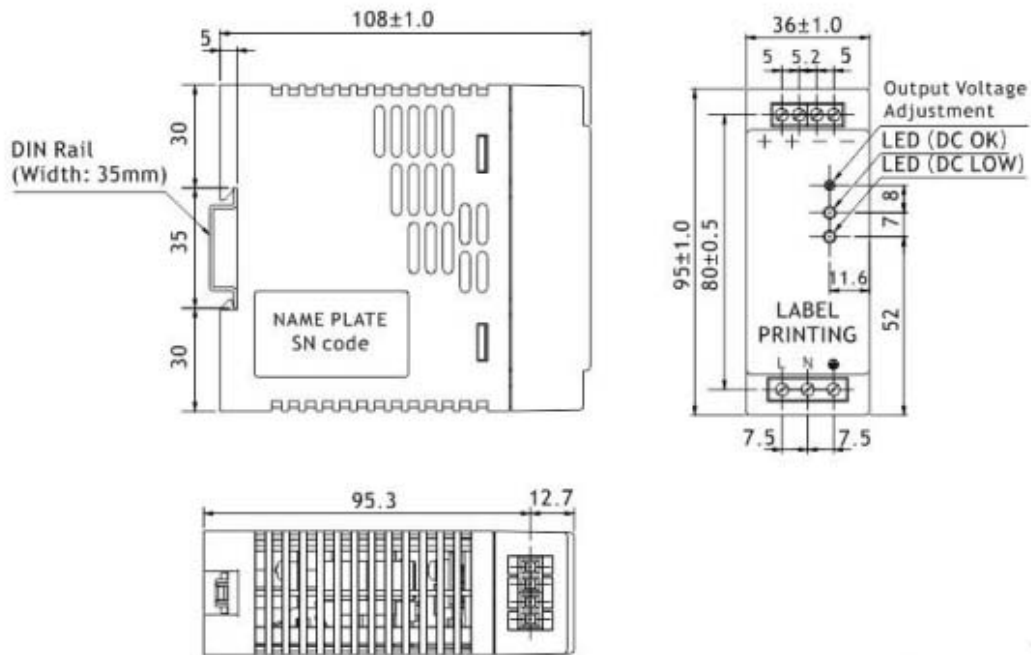
Standards Met	CB, CE, CUL, CULus Recognised, FCC, UL
---------------	--



Electrical

Stock Number	Nominal Input Voltage	Output Voltage	Output Current	Ripple (Typ.)	Efficiency (Typ.)	Certificate
136-8304	100-240VAC	5V	5A	32mV	78%	CE, FCC, CB, UL, CUL
136-8305	100-240VAC	12V	2.5A	42mV	83%	CE, FCC, CB, UL, CUL
136-8306	100-240VAC	15V	2.0A	45mV	82%	CE
136-8308	100-240VAC	24V	1.3A	46mV	87%	CE, FCC, CB, UL, CUL

Mechanical



Mechanical

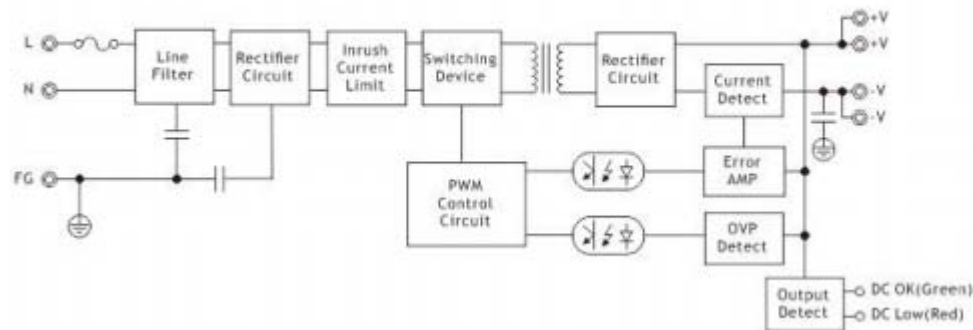


Marking	No.	Assignment
+	1	DC(+) Output Terminal
+	2	
-	3	DC(-) Output Terminal
-	4	
L	5	AC(L) Input Terminal
N	6	AC(N) Input Terminal
⊕	7	AC Grounding Terminal
V-ADJ.	/	DC Output voltage adjustment trimmer
DC OK	/	DC Output OK indication LED(Green)
DC LOW	/	DC Output Low indication LED(Red)

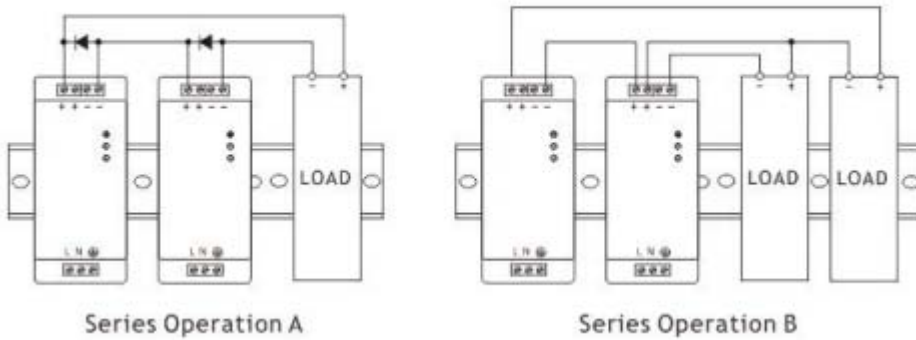
Electrical Curve



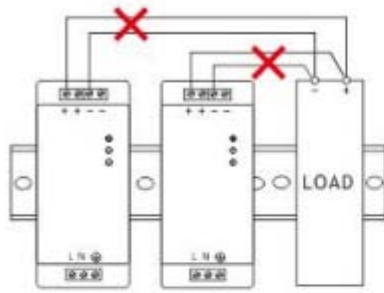
Block Diagram



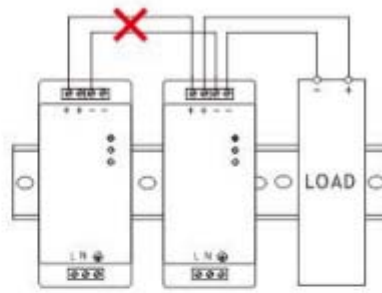
Series Operation



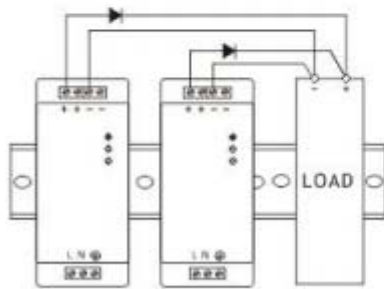
Parallel Operation



Parallel Operation A
(Unable to use)



Parallel Operation B
(Unable to use)



Parallel Operation C
(Backup)

Mounting Method

