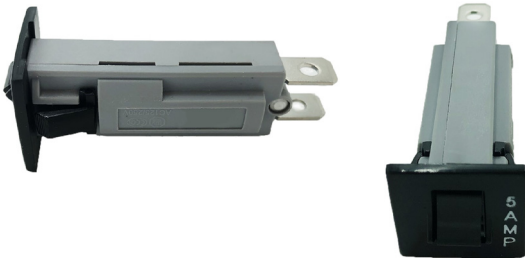


# Thermal Circuit Breakers Panel Mount

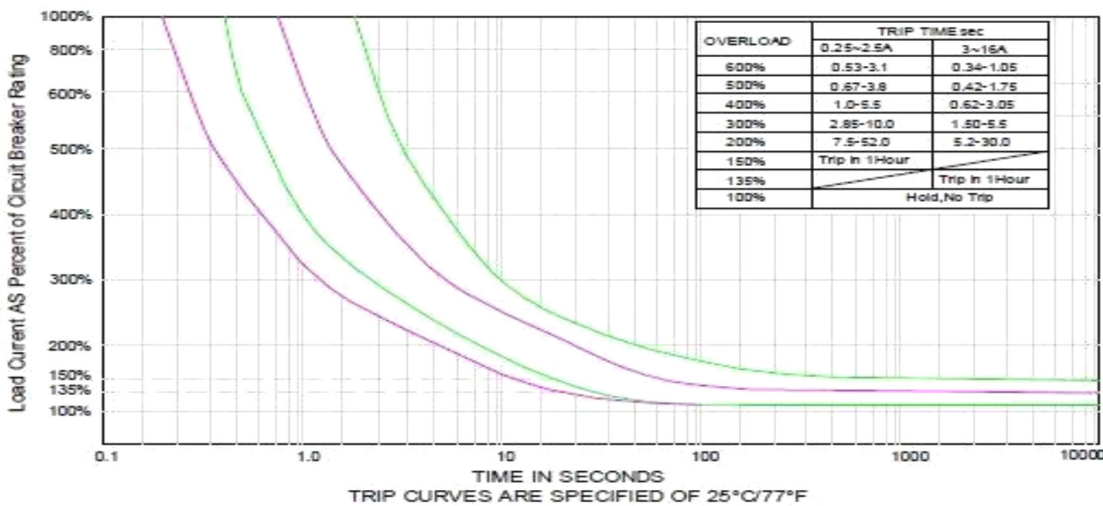
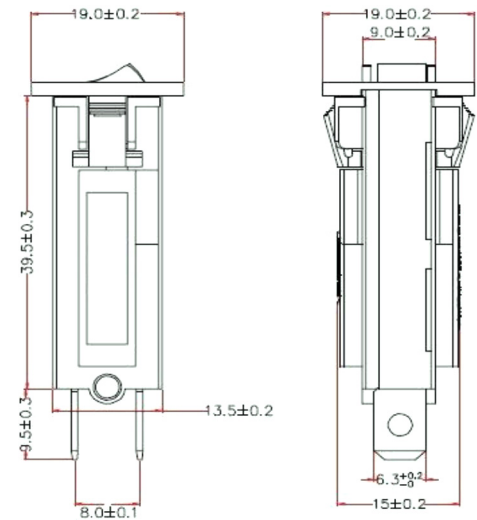
**multicomp** PRO

**RoHS  
Compliant**



## Specification

Current Rating Range : 0.5A to 20A  
 Input Voltage Rating : 125/250V AC; 32 /50V DC  
 Interrupting Capacity : 125/250V AC\* 1,000A(UL1077)  
 Typical life 1,000 operations at 200% overload  
 Degree of protection Terminal area IP00, operating area IP40



## Ambient Temperature Correction Factor

Ambient Temperature	-10°C	0°C	10°C	25°C	35°C	40°C	50°C	60°C
Multiplication Factor	*1.3	*1.2	*1.1	1	*0.94	*0.85	*0.73	*0.68

Newark.com/multicomp-pro  
 Farnell.com/multicomp-pro  
 Element14.com/multicomp-pro

**multicomp** PRO

# Thermal Circuit Breakers Panel Mount

**multicomp** PRO

**Part Number Table**

Description	Part Number
Thermal Circuit Breaker, 0.5A, 125V AC/250V AC, 32V DC/50V DC, Panel Mount	MP006310
Thermal Circuit Breaker, 0.75A, 125V AC/250V AC, 32V DC/50V DC, Panel Mount	MP006311
Thermal Circuit Breaker, 1A, 125V AC/250V AC, 32V DC/50V DC, Panel Mount	MP006312
Thermal Circuit Breaker, 1.5A, 125V AC/250V AC, 32V DC/50V DC, Panel Mount	MP006313
Thermal Circuit Breaker, 2A, 125V AC/250V AC, 32V DC/50V DC, Panel Mount	MP006314
Thermal Circuit Breaker, 2.5A, 125V AC/250V AC, 32V DC/50V DC, Panel Mount	MP006315
Thermal Circuit Breaker, 3A, 125V AC/250V AC, 32V DC/50V DC, Panel Mount	MP006316
Thermal Circuit Breaker, 4A, 125V AC/250V AC, 32V DC/50V DC, Panel Mount	MP006317
Thermal Circuit Breaker, 5A, 125V AC/250V AC, 32V DC/50V DC, Panel Mount	MP006318
Thermal Circuit Breaker, 6A, 125V AC/250V AC, 32V DC/50V DC, Panel Mount	MP006319
Thermal Circuit Breaker, 7A, 125V AC/250V AC, 32V DC/50V DC, Panel Mount	MP006320
Thermal Circuit Breaker, 8A, 125V AC/250V AC, 32V DC/50V DC, Panel Mount	MP006321
Thermal Circuit Breaker, 10A, 125V AC/250V AC, 32V DC/50V DC, Panel Mount	MP006322
Thermal Circuit Breaker, 11A, 125V AC/250V AC, 32V DC/50V DC, Panel Mount	MP006323
Thermal Circuit Breaker, 12A, 125V AC/250V AC, 32V DC/50V DC, Panel Mount	MP006324
Thermal Circuit Breaker, 13A, 125V AC/250V AC, 32V DC/50V DC, Panel Mount	MP006325
Thermal Circuit Breaker, 15A, 125V AC/250V AC, 32V DC/50V DC, Panel Mount	MP006326
Thermal Circuit Breaker, 16A, 125V AC/250V AC, 32V DC/50V DC, Panel Mount	MP006327
Thermal Circuit Breaker, 18A, 125V AC/250V AC, 32V DC/50V DC, Panel Mount	MP006328
Thermal Circuit Breaker, 19A, 125V AC/250V AC, 32V DC/50V DC, Panel Mount	MP006329
Thermal Circuit Breaker, 20A, 125V AC/250V AC, 32V DC/50V DC, Panel Mount	MP006330

**Important Notice :** This data sheet and its contents (the "Information") belong to the members of the AVNET group of companies (the "Group") or are licensed to it. No licence is granted for the use of it other than for information purposes in connection with the products to which it relates. No licence of any intellectual property rights is granted. The Information is subject to change without notice and replaces all data sheets previously supplied. The Information supplied is believed to be accurate but the Group assumes no responsibility for its accuracy or completeness, any error in or omission from it or for any use made of it. Users of this data sheet should check for themselves the Information and the suitability of the products for their purpose and not make any assumptions based on information included or omitted. Liability for loss or damage resulting from any reliance on the Information or use of it (including liability resulting from negligence or where the Group was aware of the possibility of such loss or damage arising) is excluded. This will not operate to limit or restrict the Group's liability for death or personal injury resulting from its negligence. Multicomp Pro is the registered trademark of Premier Farnell Limited 2019.

Newark.com/multicomp-pro  
Farnell.com/multicomp-pro  
Element14.com/multicomp-pro

**multicomp** PRO