

Features

- Full port 1/4" to 3" (DN8 to DN80)
- Investment casting
- Blow-out proof stem
- Locking device
- ISO 5211 Mounting pad

RS PRO Stainless Steel High Pressure Ball Valve 1/2 in 2 Way

RS Stock No.: 764-4250



RS PRO Professionally Approved Products bring to you professional quality parts across all product categories. Our product range has been tested by engineers and provides a comparable quality to the leading brands without paying a premium price.

Product Description

Introducing the RS PRO general purpose manual ball valve designed for industrial applications. Manual ball valves are used to operate shut off valves which control water flow and pressure.

Available in a variety of sizes:

- 499-2789 – ¼ inch BSPP F-F
- 499-2795 – ½ inch BSPP F-F
- 499-2802 – ¾ inch BSPP F-F
- 499-2818 – 1 inch BSPP F-F
- 499-2824 – 1-1/4 inch BSPP F-F
- 499-2830 – 1-1/2 inch BSPP F-F
- 499-2846 – 2 inch BSPP F-F

General Specifications

Threaded Connection	1/2in BSPP
Attachment Type	Threaded
Body Material	ASTM A351-CF8M
Thread Size	1/2in
Safe For Use With	Gas, Oil, Water
Ball Material	ASTM A351-CF8M
Thread Standard	BSPP
Handle Material	Stainless Steel
Type	2 Way
Application	Heating systems; Water treatment; Liquid flow control

Mechanical Specifications

Connection Size	12.7mm
Torque	5.5Nm
Weight	0.3kg

Operation Environment Specifications

Working Temperature	-20°C to 200°C
Maximum Working Pressure	1000 psi

Approvals

Compliance/Certifications	ISO-5211
---------------------------	----------



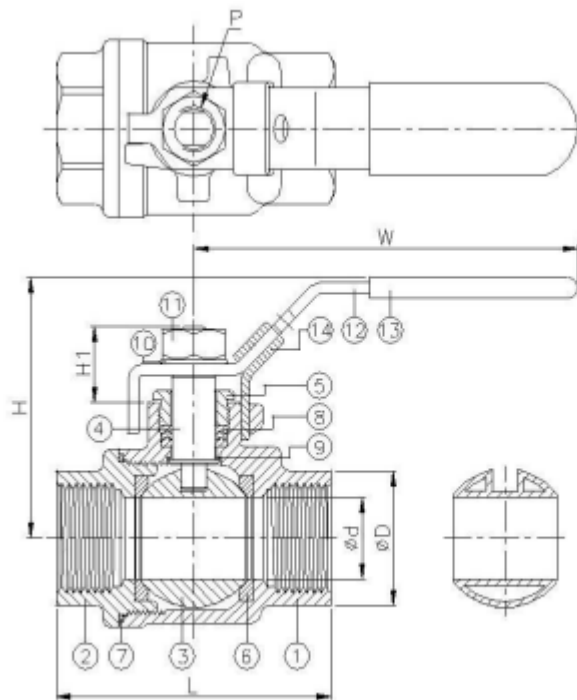


Figure 1



ITEM	PARTS	MATERIAL
1	BODY	ASTM A351-CF8M
2	CAP	ASTM A351-CF8M
3	SOLID BALL	ASTM A351-CF8M
	HOLLOW BALL	ASTM A240-316
4	STEM	ASTM A276-316
5	GLAND	AISI 304
6	SEAT	RTFE
7	SEAL	PTFE
8	PACKING	PTFE
9	THRUST WASHER	PTFE
10	SPRING WASHER	AISI 304
11	NUT	AISI 304
12	HANDLE	STAINLESS STEEL
13	HANDLE SLEEVE	PVC
14	LOCKING DEVICE	STAINLESS STEEL

DN	d	D	L	H	H1	W	P	Torque (N-M)	Weight (kg)
15	15	26	58	58.5	18.5	100	3/8" – 24 UNF	5.5	0.3