

FEATURES

- All Fluids compatible
- Mechanical resistance
- Silicon free

RS PRO NIPPLE TAPER – NPTF

RS Stock No.: 2312778



RS PROfessionally Approved Products bring to you professional quality parts across all product categories. Our product range has been tested by engineers and provides a comparable quality to the leading brands without paying a premium price.

Product Description

The RS PRO nipple taper - nptf mainly used in compressed air, pneumatic automation, industrial water circuit applications. High performances in pressure and temperatures (+300°C). Available with sharp threads. RoHS and REACH compliant.

General Specifications

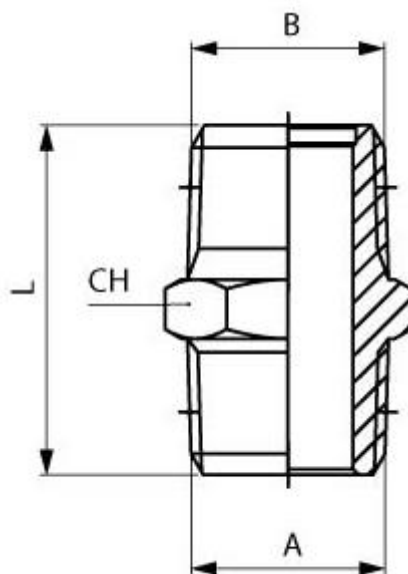
Fitting Type	Nipple
Material	Brass
Fitting Direction	Straight
Application	Compressed Air, Pneumatic Automation, Industrial water circuits, Inert Gases, Fluids, Steam Vacuum

Mechanical Specifications

Pipe Fitting Connection Type	Threaded
Connection 1	1/4 in BSPT Male
Connection Gender 1	Male
Thread Size 1	1/4 in
Thread Standard 1	BSPT
Connection 2	1/4 in NPTF
Connection Gender 2	Male
Thread Size 2	1/4 in
Thread Standard 2	NPTF
Length	29mm
Wrench Size	14mm

Similar Products

Parameters	2312779	2312780
Brand	RS PRO	RS PRO
Pipe Fitting Connection Type	Threaded	Threaded
Connection 1	3/8 in BSPT Male	1/2 in BSPT Male
Connection Gender 1	Male	Male
Thread Size 1	3/8 in	1/2 in
Thread Standard 1	BSPT	BSPT
Connection 2	3/8 in NPTF	1/2 in NPT Male
Connection Gender 2	Male	Male
Thread Size 2	3/8 in	1/2 in
Thread Standard 2	NPTF	NPTF
Length	29.5mm	36.5mm
Wrench Size	18mm	22mm



A_{BPST}	B_{NPTF}	L	CH	Pack
1/4	1/4	29	14	10