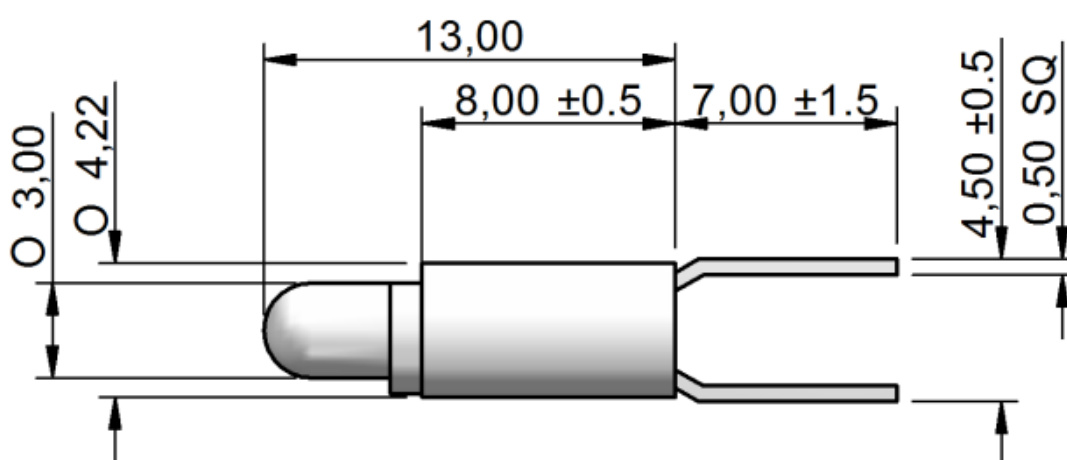


# Datasheet

## White bi-pin LED Indicator Lamp, Single Chip

RS Stock number [205-527](#)

Dimensions: (mm)



## Specifications

LED/Multiled	LED	Optimum voltage (V)	12Vac/dc	Intensity	600mcd Typ
Mounting Size	Bi-Pin	Rectifier	-	Reverse Voltage	5Vdc
Mounting Finish	-	AC current	6mA		
Protection	-	DC current	12mA		
Mount Holder	-	Voltage Tolerance(%)	10%		
Chip Qty	-	Optimum temperature (°C)	-25°C...+60°C		
Indicator colour	White	Storage temperature (°C)	-25°C...+60°C		
Chromaticity coordinates	X 0.30 Y0.30	Contact Tab	Bi-Pin		



Dimension in mm (typical), not to scale.  
We reserve the right to make changes without further notice to this product to improve reliability, function or design.