

# 3/4" Non-Metallic Models

## COMPACT SERIES PUMPS

Part of our Compact Series of pumps, our 3/4" pumps feature big performance in a small package. With flow rates up to 14.8 GPM (56 LPM) and a wide range of material and porting configurations.

|                                    |                                                     |
|------------------------------------|-----------------------------------------------------|
| Ratio:                             | 1:1                                                 |
| Maximum Flow gpm (lpm):            | 14.8 (56)                                           |
| Displacement per cycle gal (l):    | .032 (.12)                                          |
| Air Inlet: (Female)                | 1/4 - 18 PTF SAE Short                              |
| Fluid Inlet/Outlet:                | 3/4 - 14 NPTF - 1<br>Rp 3/4 (3/4 -14 BSP, parallel) |
| Max. operating pressure psi (bar): | 100 (6.9)                                           |
| Suspended solids max. dia in (mm): | .09375 (2.4)                                        |
| Weight lbs (kg):                   | 5.61 (2.54)                                         |
| Maximum dry suction lift ft (m):   | 15.0 (4.5)                                          |
| Sound Level:                       | 70 PSI 60 Cycles/Min 75.0 db(A)                     |



PD07P-APS-PAA

### Ordering

| Position | 1    | 2 | 3 | 4 | 5 | 6 | 7 | 8 | 9 | 10 | 11 |   |   |   |   |
|----------|------|---|---|---|---|---|---|---|---|----|----|---|---|---|---|
| Example: | PD07 | P | - | X | X | S | - | X | X | X  | -  | B | - | X | X |

| Position 1<br>Model<br>Series                           | Position 2<br>Center<br>Section | Position 3<br>Connections                                      | Position 4<br>Manifold<br>Material | Position 5<br>Hardware | Position 6<br>Seat<br>Material | Position 7<br>Ball<br>Material             | Position 8<br>Diaphragm<br>Material                              | Position 9                                                                                                                                                                     |
|---------------------------------------------------------|---------------------------------|----------------------------------------------------------------|------------------------------------|------------------------|--------------------------------|--------------------------------------------|------------------------------------------------------------------|--------------------------------------------------------------------------------------------------------------------------------------------------------------------------------|
| PD07 - Standard Pump<br>PE07 - Remote Actuation Capable | P - Poly-propylene              | A - 14 - 3/4" NPTF-1<br>B - Rp 3/4 (3/4 1/2 -14 BSP, parallel) | P - Poly-propylene (Single Port)   | S - SS                 | P - Poly-propylene             | A - Santoprene®<br>C - Hytrel®<br>T - PTFE | A - Santoprene®<br>C - Hytrel®<br>L - Long-Life PTFE<br>T - PTFE | Revision Level<br><b>Position 10 &amp; 11 Specialty Code</b><br><br>Fluid control options for pump with electronic interface (PE07 model). See complete description on page 17 |

Hytrel® is a registered trademark of DuPont company, Santoprene® is registered trademark of Monsanto and Viton® is a registered trademark of ExxonMobil

### Accessories

**Air Line Connection Kit** | 66073-1

(Piggyback Filter/Regulator with gauge, pipe nipple and 5-foot air hose)

**Muffler Kit** | 637438 (ported exhaust) 3/8" NPT

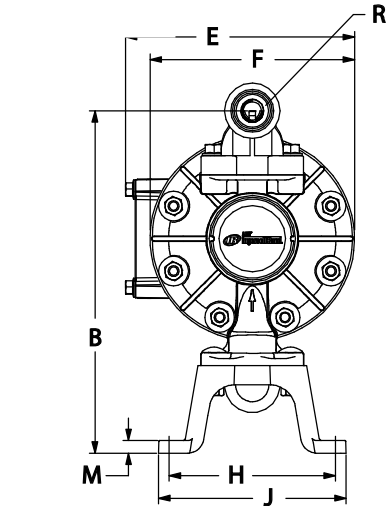
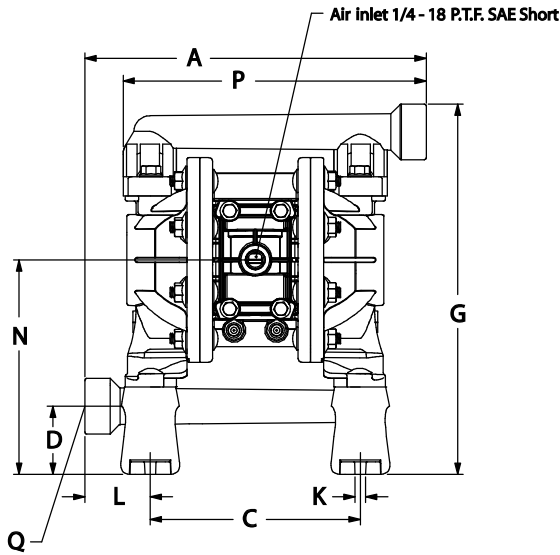
**Service Repair Kits** | 637428 (air section)  
637427-XX (fluid section)

**Wall Mount** | 76763



Air Line Connection Kit  
66073-1

## 3/4" Non-Metallic Dimensions and Flow Charts

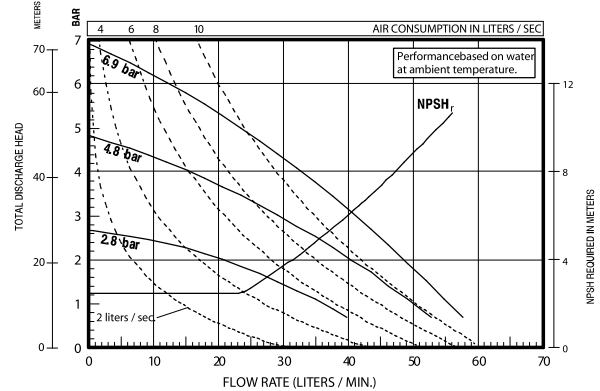
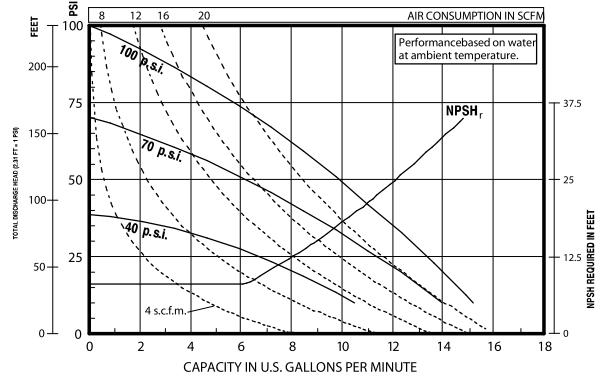


### DIMENSIONS

|                        |                         |                       |
|------------------------|-------------------------|-----------------------|
| A - 10" (254.2 mm)     | F - 6-1/32" (153.1mm)   | L - 1-15/16" (48.9mm) |
| B - 10-3/32" (256.1mm) | G - 10-29/32" (276.8mm) | M - 3/8" (9.6mm)      |
| C - 6-3/16" (157.1mm)  | H - 4-29/32" (124.2 mm) | N - 6-5/16" (160.5mm) |
| D - 2" (51.0mm)        | J - 5-17/32" (140.2mm)  | P - 8-7/8" (225.3mm)  |
| E - 6-3/4" (171.0mm)   | K - 5/16" (8.0mm)       |                       |

|               |                      |                      |
|---------------|----------------------|----------------------|
| Model         | "Q" Material Inlet   | "R" Material Outlet  |
| PD07P-APS-PXX | 3/4- 14 N.P.T.F. - 1 | 3/4- 14 N.P.T.F. - 1 |
| PD07P-BPS-PXX | Rp 3/4(3/4- 14 BSP)  | Rp 3/4(3/4- 14 BSP)  |

PD07P-XPS-PXX 3/4"NON-METALLIC DIAPHRAGM PUMP



Performance based on an elastomeric fitted pump, flooded suction with water at ambient conditions. Due to varying materials of construction, assembly configurations and operating conditions, published data is for reference only.

### Ordering Position 10

#### Specialty Code 1 (Blank if no Specialty Code)

|                     |                                            |
|---------------------|--------------------------------------------|
| A - Solenoid 120VAC | G - Solenoid 12VDC ATEX/IECex*             |
| B - Solenoid 12VDC  | H - Solenoid 24VDC ATEX/IECex*             |
| C - Solenoid 240VAC | J - 120VAC NEC/CEC*                        |
| D - Solenoid 24VDC  | K - Solenoid 220VAC ATEX/IECex*            |
| E - 12vDC NEC/CEC*  | N - Solenoid with no coil                  |
| F - 24vDC NEC/CEC*  | O - Standard Valve Block (No Solenoid)     |
|                     | P - Ported Motor (No major valve provided) |

### Ordering Position 11

#### Specialty Code 2 (Blank if no Specialty Code)

|                                              |                                                        |
|----------------------------------------------|--------------------------------------------------------|
| E - End of stroke feedback + Leak Detection  | L - Leak Detection                                     |
| F - End of stroke feedback                   | M - Leak Detection ATEX/IECex/NEC/CEC*                 |
| G - End of Stroke ATEX/IECex*                | O - No Option                                          |
| H - End of Stroke/Leak Detection ATEX/IECex* | R - End of Stroke Feedback NEC / CEC*                  |
|                                              | T - End of Stroke Feedback + Leak Detection NEC / CEC* |