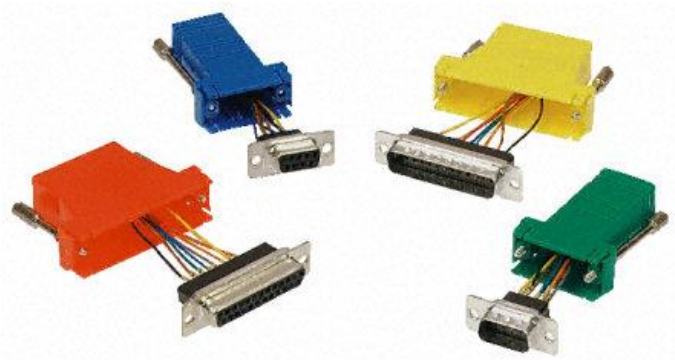


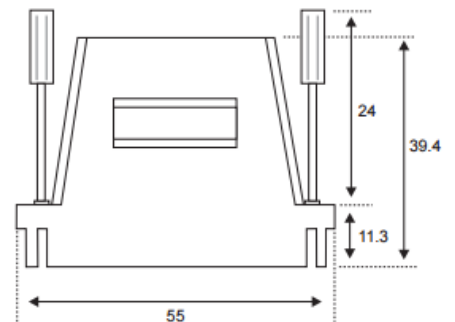
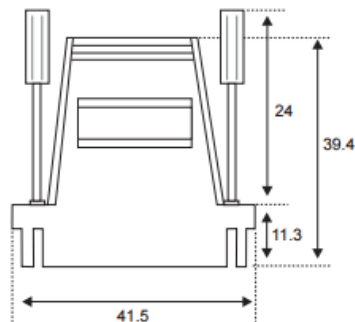
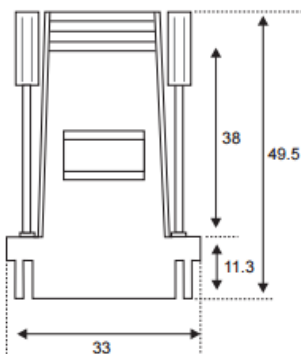
Datasheet

Yellow 25 way D plug w/RJ45 socket adaptor

RS Stock number 314-8240



Dimensions: (mm)



Specifications

RJ45 : Modular

Pin : Cord Colour Yellow