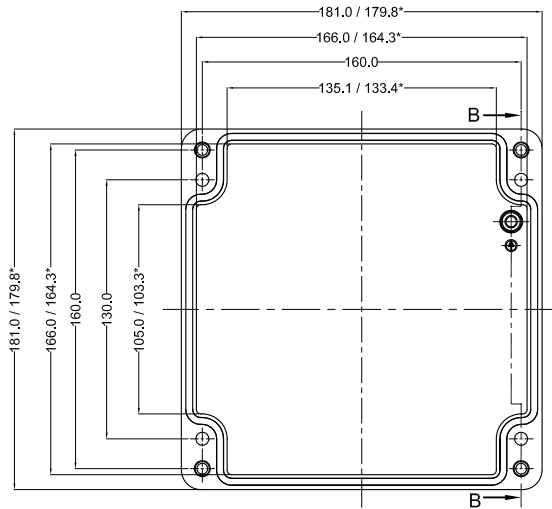
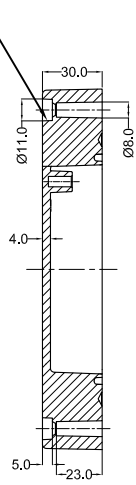


* = Conical form tapering downward.
 Untoleranced dimensions per GTA 13/5 DIN 1688

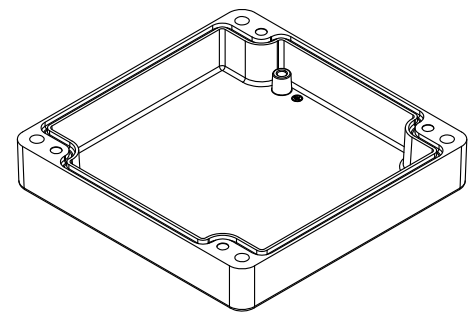
LID



Cylinder Screw
 M6 x 35/10 similar to DIN 84

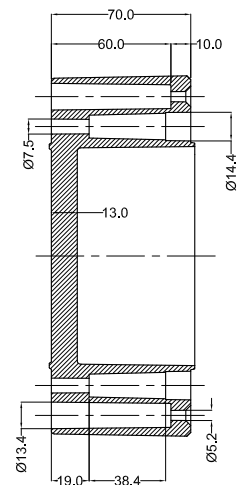
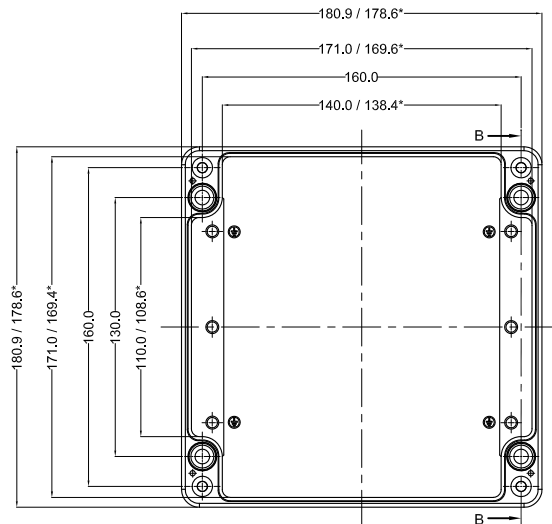


SECTION B-B

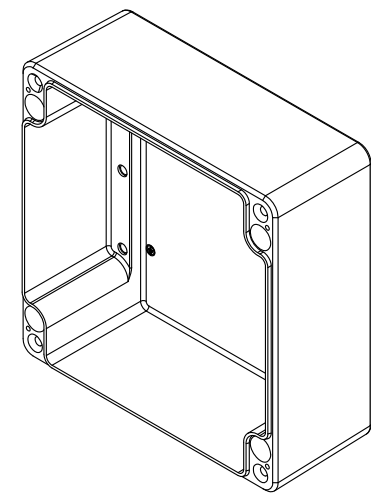


OPTIONAL ACCESSORIES		
PART NAME	QTY.	AVILABILITY
MOUNTING PLATE	1	Y
EXTERNAL HINGE	2	Y
INTERNAL HINGE	2	Y
MOUNTING BRACKETS	4	Y
NEOPRENE/SILICON GASKET	1	Y
DIN RAIL TS15	-	N
DIN RAIL TS35	1	Y

BASE



SECTION B-B



QUANTITY	MATERIAL :-	MACH.NAME	DATE	SIGN	NAME	
-	Alsi12 Din230	-	30/04/18		RRPL	DESIGN
			30/04/18		MANOJ	DRAWN
			30/04/18		PAWAN	CHECKED
					S . D .	APPROVED
		TITLE :-	JUNCTION BOX 180 x 180 x 100			
TOLERANCE ±0.2 DIMENSIONS ±0.2 HOLES ±1.0° ANGLES		WEIGHT: -	FINISH: NATURAL	SCALE		
		ALL DIMENSION ARE IN MM		RJ 28		