



1881767 PIEZO BUZZER

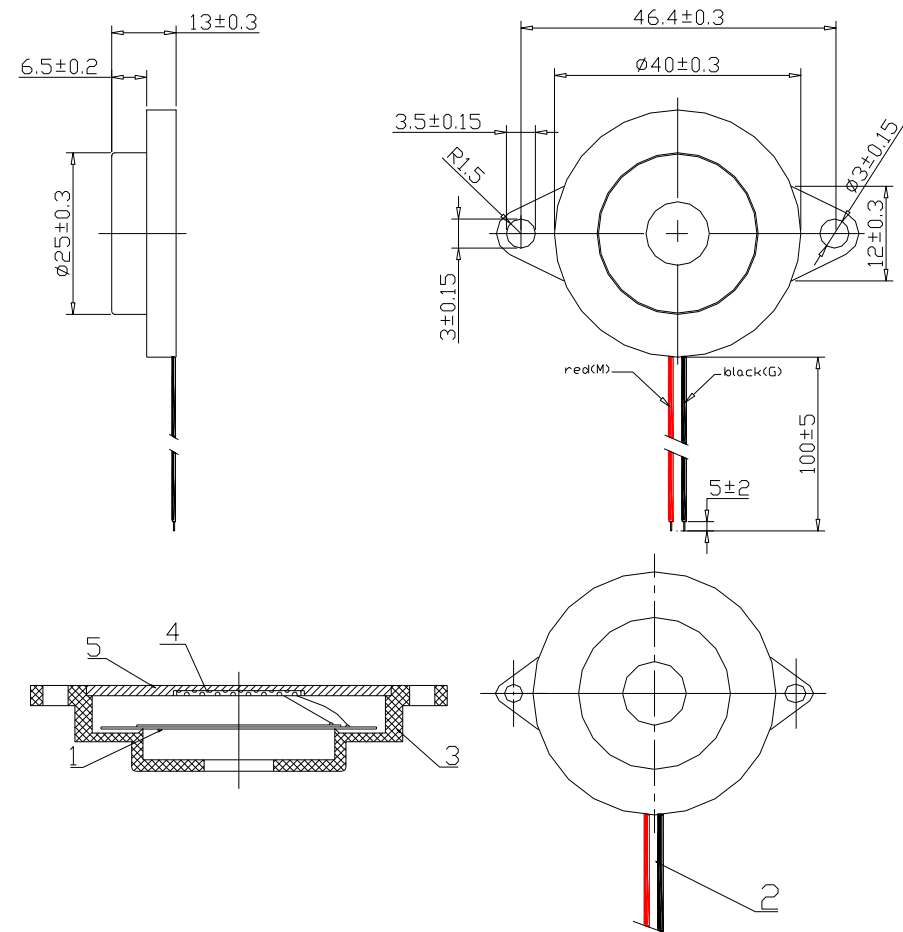
SOUNDERS & BUZZERS

Specifications

| | |
|--------------------------------|------------------------|
| Rated voltage (Vp-p) | 9Vp-p |
| Operating voltage | 1-40Vp-p |
| Sound output at 3200Hz at 10cm | ≥110dB (typical 115dB) |
| Resonant frequency | 3200 ± 500Hz |
| Operating temperature | -30~+70°C |
| Storage temperature | -40~+85°C |
| Weight | 5g |
| Tone | Single |

1881767

Unless otherwise specified, tolerance:±0.5(unit:mm)



- Features**
- ROHS compliant
 - Wave solder & wash not allowed
 - All data at 25°C unless otherwise specified

| No. | Part Name | Qty | Material |
|-----|---------------|-----|----------------------------|
| 5 | Cover | 1 | BLACK ABS777D |
| 4 | PCB | 1 | Epoxy Board |
| 3 | Housing | 1 | BLACK ABS777D |
| 2 | Lead wire | 2 | UL1095 AWG28 (Red & Black) |
| 1 | Piezo element | 1 | Stainless steel |