



Datasheet

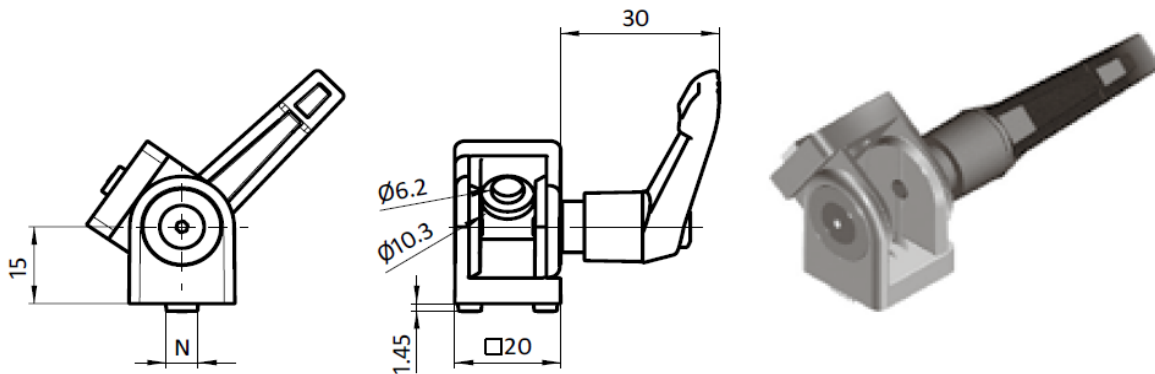
RS PRO Pivot Joint with locking lever

Stock number: 180-9135

EN

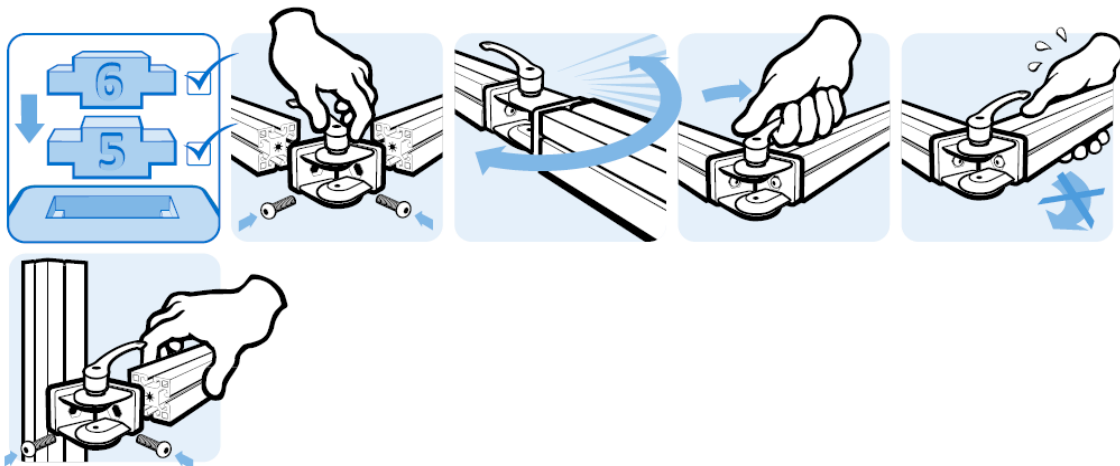
Description For connection of two two profiles or panel; with attachment at any angle, with separate locating pins for slot 5 and slot 6; by tightening or loosening the screws and the locking lever you can seamlessly regulate the functionality of the joint or you can fix in one position, for Slot 5

Material Joint: Aluminium die-cast
Locking lever: Plastic PA, glass fibre reinforced



RS Article no.	Product description	Opening angle	N	Weight [g]
1809135	Pivot joint 20, with locking lever	182°	5, 6	25.0





RS Article no.	Product description	Compatible with groove size	Product system	Structural element type
1809135	Pivot joint 20, with locking lever	5, 6	20	Connecting Bracket & Joint