



Datasheet

RS PRO

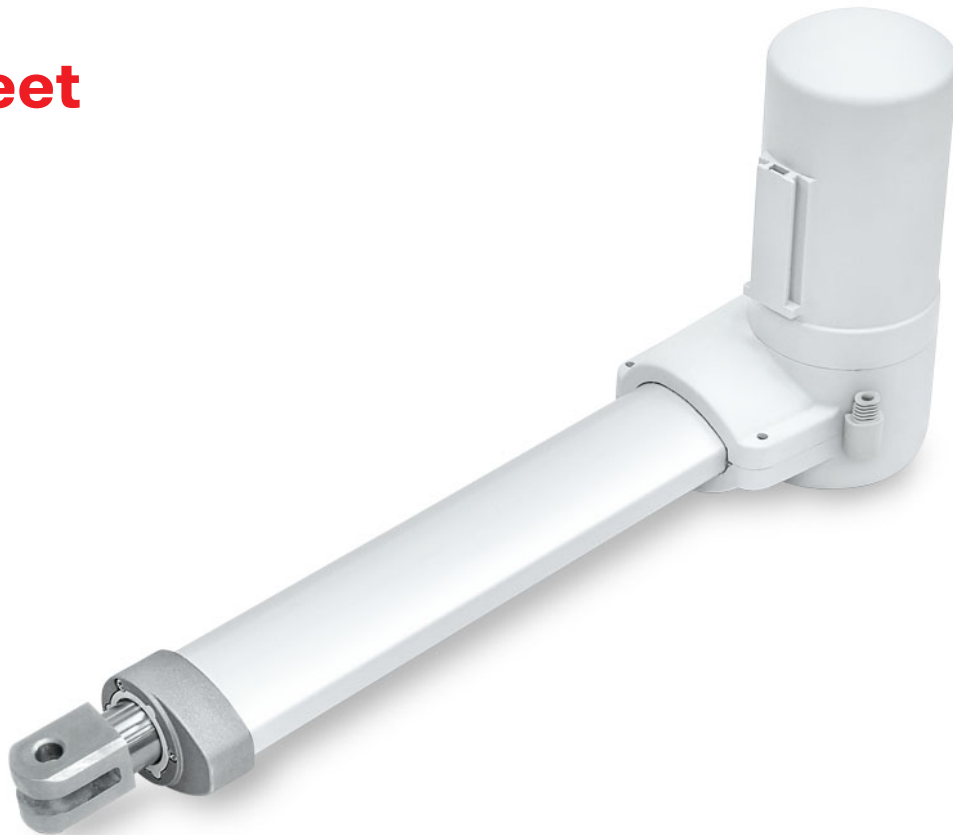
Stock numbers:

1774491

1774494

1774496

EN



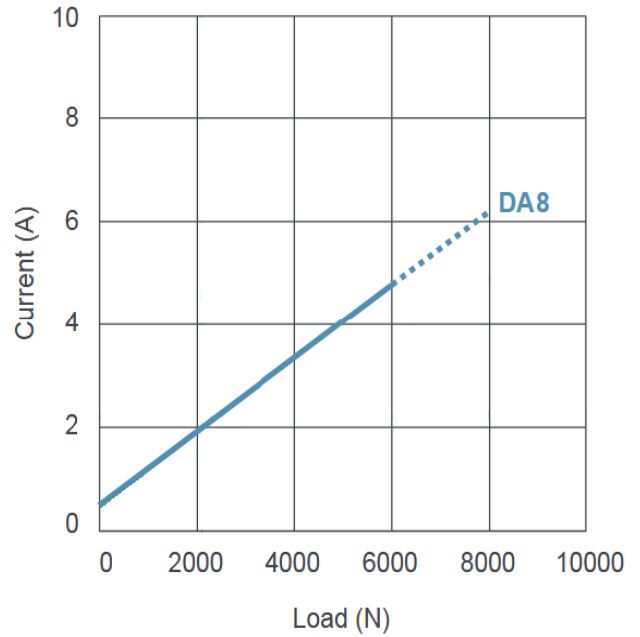
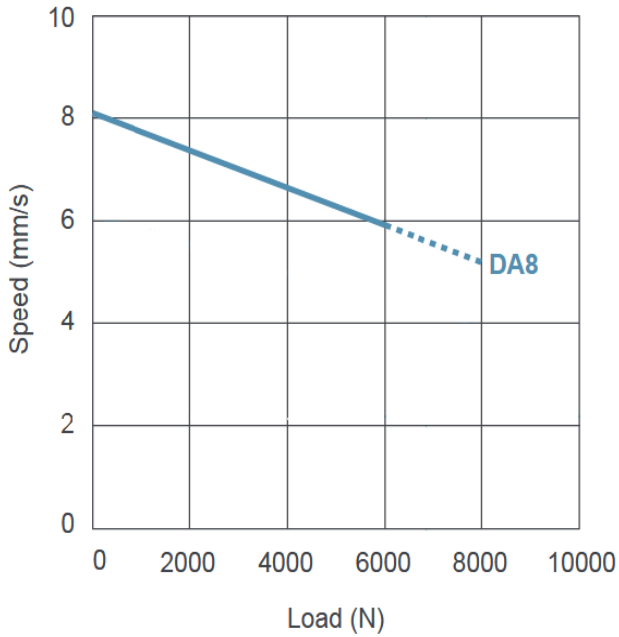
- ◆ MD82 is a quiet and powerful actuator up to 8000N thrust.
- ◆ Input voltage: 24V DC
- ◆ Max. load: 8000N (push) / 6000N (pull)
- ◆ Max. speed at no load: 8.1 mm/sec
- ◆ Max. speed at full load: 5.2 mm/sec @ 8000N
- ◆ Stroke: 50 ~ 400 mm
- ◆ Noise level: ≤ 5 0dB
- ◆ IP Protection level: IPX4
- ◆ Clevis type of metal connectors. Rear connector's pivot angle can be chosen in every 30 degrees.
- ◆ Preset limit switches
- ◆ Steel extension tube
- ◆ Colour: Light gray RAL 7035
- ◆ Duty cycle: 10%, max. 2 min. continuous operation in 20 min.
- ◆ Ambient operation temperature: +5°C ~ +40°C
- ◆ Certified: CE Marking, EMC Directive 93/42/EEC
- ◆ Cable Length - **0**: 300mm straight **1**:1000mm straight **A**: 400mm with 200m coiled

RS Number	Vendor Part Number	Push Max. (N)	Pull Max. (N)	Speed (mm/s)		Voltage (DC)	Stroke (mm)
				No load	Full load		
1774491	MD82-24-DA-8-295.395.8.1.0.0	8000	6000	8.1	5.2	24	100
1774494	MD82-24-DA-8-495.795.8.1.0.0	8000	6000	8.1	5.2	24	300
1774496	MD82-24-DA-8-895.1595.8.1.0.0	8000	6000	8.1	5.2	24	700

Speed vs. Load

Current vs. Load

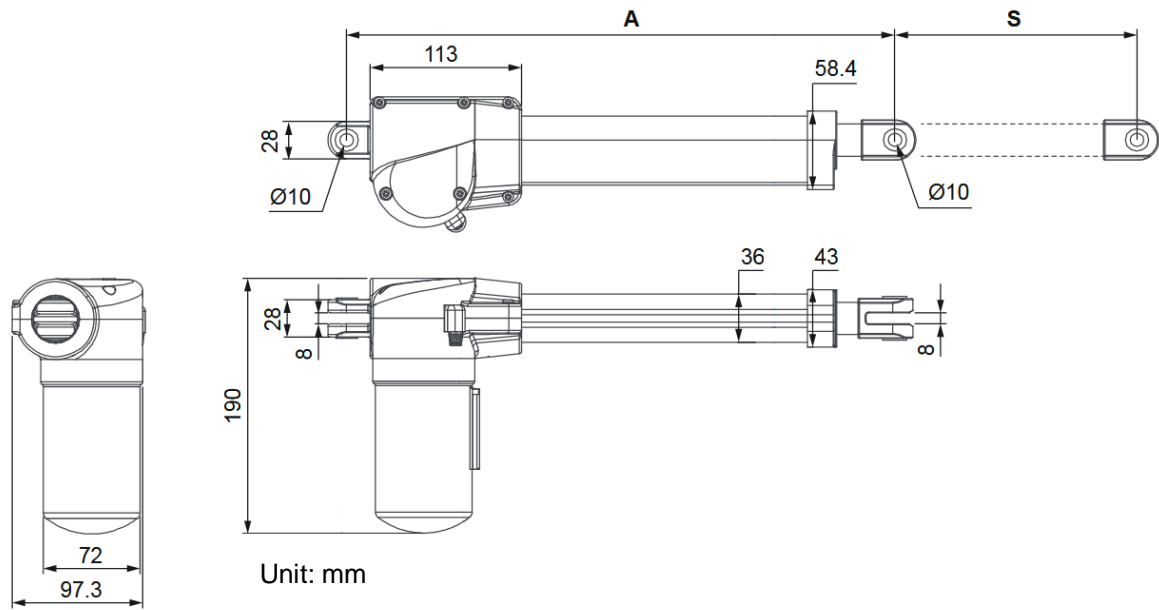
24V DC



Push / Pull Load — Push Load - - -

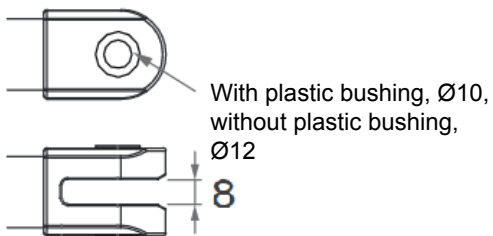
Model No.	Push Max. (N)	Pull Max. (N)	Typical Speed (mm/s)		Typical Current (A)	
			No Load	Full Load	No Load	Full Load
MD82-24DA8-XXX.XXX-X...	8000	6000	8.1	5.2	0.5	6.2





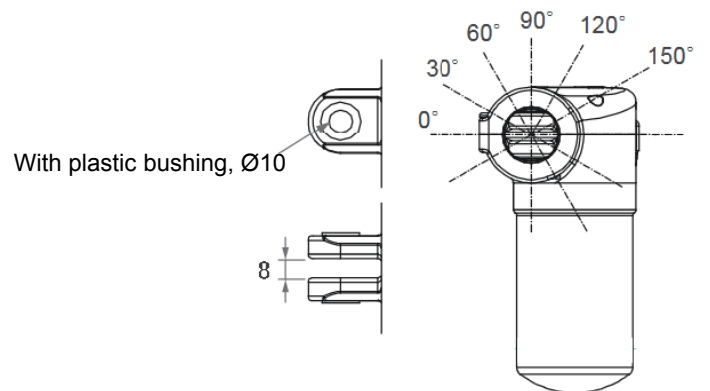
Front Connector

8: Zinc alloy clevis



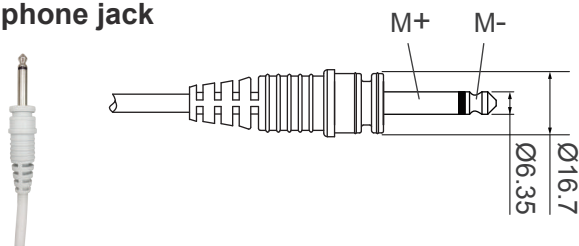
Rear Connector

1: Zinc alloy clevis, with following orientation options.



Cable Plug

J2-type phone jack



Ordering Key

MD82—24—DA—8—300—400—8—1—0

Input Voltage

24 : 24V DC

Motor

DA: Standard power and speed

Spindle

6: 6mm Lead

Retracted Length

XXX

Extended Length

XXX

Front Connector type

8: Zinc alloy clevis

Rear Connector type

1: Zinc alloy clevis

Pivot orientation of rear connector

0: 0° (standard) **3**: 30° **6**: 60°
9: 90° **C**: 120° **F**: 150°

