



1797427 Electro Mechanical Indicator

SOUNDERS & BUZZERS

Specifications

	1797427
Rated voltage	5VDC
Operating voltage	3~7VDC
Rated current*	≤25mA
Sound output at 10cm*	≥80dB
Resonant frequency*	2730±300Hz
Tone	Continuous
Operating temperature	-20~+80°C
Storage temperature	-30~+85°C
Weight	1g

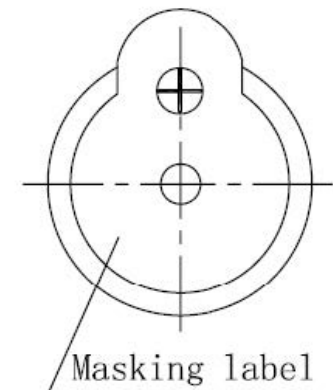
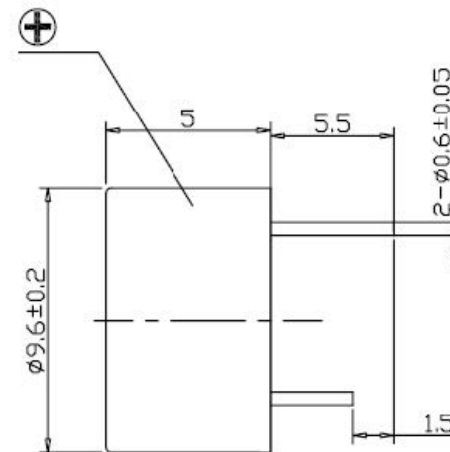
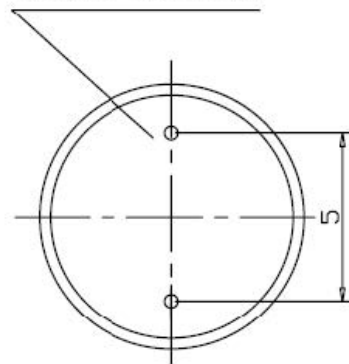
*Value applying at rated voltage (DC)

All data at 25°C unless otherwise specified

Features

- ROHS compliant
- Housing material: PBT
- Wave solderable and washable

EPOXY POTTING



Dimensions Unit: mm Tolerance: ±0.5mm