

Datasheet

Sub-Miniature Toggle Switch

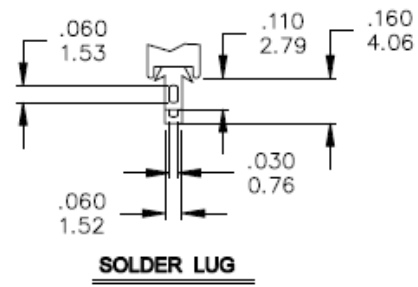
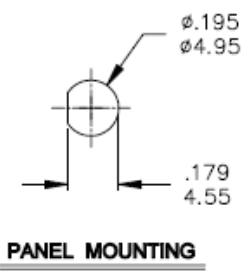
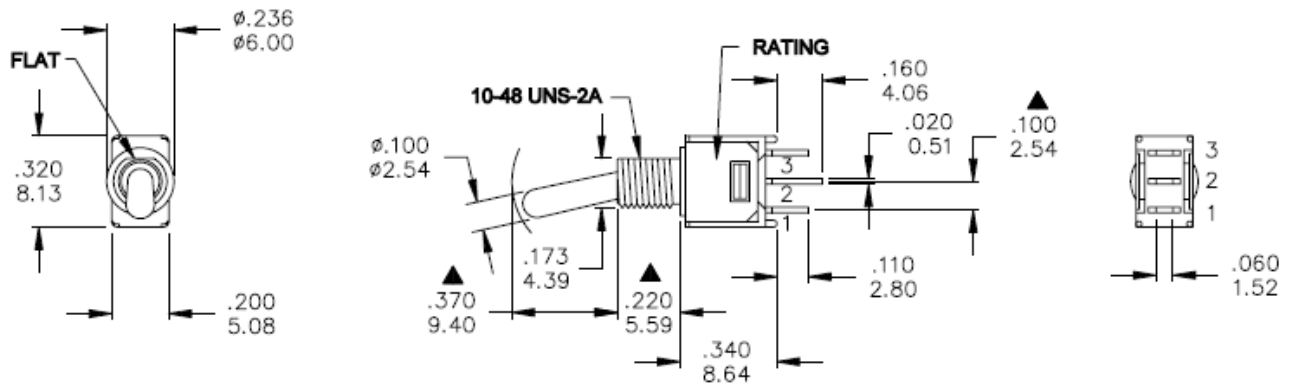
RS Stock number 734-7211



Specifications:

MECHANICAL LIFE:	30,000 make-and-break cycles.
CONTACT RESISTANCE:	20m Ω max. initial @ 2-4VDC 100mA for both silver and gold plated contacts
INSULATION RESISTANCE:	1000M Ω min.
DIELECTRIC STRENGTH:	1,000Vrms min. @ sea level.
OPERATING TEMPERATURE:	-30°C to 85°C.
CASE:	Diallyl Phthalate (DAP) (UL94v-0)
ACTUATOR:	Brass, chrome plated
BUSHING:	Brass, nickel plated
HOUSING:	Stainless Steel
CONTACT/TERMINAL:	Brass, with silver or gold plated copper
SWITCH SUPPORT:	Brass, tin plated

**Dimensions – inch
mm**



Model No.	POS.1	POS.3
	2MS1	ON
Term. Comm.	2-3	2-1
SCHEMATIC		

SWITCH FUNCTION