

FEATURES

- PBT Thermoplastic casing
- Square orientation
- Can be mounted in a horizontal and vertical position
- Low noise levels
- Smooth and efficient air flow

RS PRO, 12V dc, DC Axial Fan, 50 x 50 x 10mm, 16.9m³/h, 1.2W, IP55

RS Stock No.: 144-2051



RS Professionally Approved Products bring to you professional quality parts across all product categories. Our product range has been tested by engineers and provides a comparable quality to the leading brands without paying a premium price.

Product Description

Brought to you by RS Pro, these axial fans are a perfect choice for cooling applications. With a fully integrated electronic commutation, this axial fan provides a durable and smooth airflow to the device it is cooling. Establishing the relevant axial fan needed, the RS Pro series of DC Brushless fans are designed to be up there with the best. All models are highly reliable and excellent quality.

General Specifications

Air Flow	16.9m ³ /h
Fan Speed	4600rpm
Static Pressure	0.10in/H ₂ O max.
Noise Level	25dB
Direction of Curve	Forward
Frame	PBT Plastic
Impeller	UL94-0 Plastic
Alarm Function	Yes
Special Features	Dual Ball Bearing; Tachometer
Applications	Server racks, Electrical cabinets and enclosures; Production Lines, Ceiling fan/ventilation Desktop computers, Motor engines (radiator in a car), Generators, Air compressors

Electrical Specifications

Motor	Brushless DC, Auto Restart, Polarity Protected
AC or DC Operation	DC
Power Consumption	1.2W
Supply Voltage	12VDC
Maximum Current	90mA
Dielectric Strength	1 minute at 500 VAC, max leakage < 500 Micro Amp
Insulation Resistance	10M ohm between lead wire and frame (500VDC)

Mechanical Specifications

Dimensions	50mm x 50mm x10mm
Height	50mm
Width	50mm
Depth	10mm
Bearing Type	Ball
Weight	18g
Life Expectancy	60,000 hours (L10 at 45°C)

Operation Environment Specifications

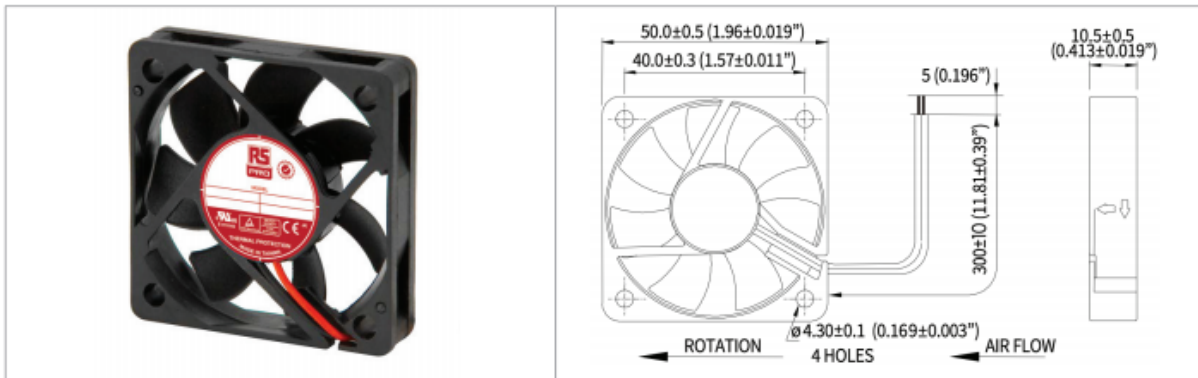
Operating Temperature	-10°C to 70°C
------------------------------	---------------

Protection Category

IP Rating	IP55
------------------	------

Approvals

Compliance/Certifications	RoHS Certificate Of Compliance
----------------------------------	--------------------------------



Frame & Impeller	PBT, UL94V-0 plastic	<u>Available Options</u> Tachometer Alarm 1442048 & 1442051 are IP55-rated <u>Life Expectancy (L10)</u> 60,000 hrs Ball <u>Operating Temperature</u> -10C - 70C Weight = 18g	
Connection	2x Lead wires (-290mm) 26AWG		
Motor	Brushless DC, auto restart, polarity protected		
Bearing System	Dual Ball		
Insulation Resistance	10M ohm between leadwire and frame (500VDC)		
Dielectric Strength	1 minute at 500 VAC, max leakage < 500 MicroAmp		

Model Number	Speed RPM	Airflow (CFM)	Noise (dB)	Volts DC	Input Power (Watts)	Amps	Max. Static Pressure (\"H ₂ O)
1442046	3900	9	20	5	0.45	0.10	0.06
1442047	4600	10	25	5	0.75	0.15	0.10
1442048	4600	10	25	5	0.75	0.15	0.10
1442049	3900	9	20	12	0.96	0.08	0.06
1442050	4600	10	25	12	1.08	0.09	0.10
1442051	4600	10	25	12	1.08	0.09	0.10

