

Datasheet

Sub-Miniature Pushbutton Switch



IP 67
ACCORDING TO
EN 60529:1991+A1:2001
IEC 60529:2001



Package Contain:

- 1x Nut
- 1x Locking Washer
- 1x Splash Proof O-Ring

Specifications:

SWITCH TYPE:	PUSHBUTTON
POLES/THROWS:	SPST
SWITCH FUNCTIONS:	OFF-MOM

ELECTRICAL CHARACTERISTICS

CONTACT RATING:	500mA 48VAC-200mA 50VDC-200mA 250VAC
ELECTRICAL LIFE:	500,000 make-and-break cycles at full load
CONTACT RESISTANCE:	50m-ohms max.
INSULATION RESISTANCE:	1G Ω min. at 500VDC
DIELECTRICAL STRENGTH:	1500VAC rms
OPERATING TEMPERATURE:	-30°C to +85°C



Specifications:

RELAIBILITY PERFORMANCE

MECHANICAL LIFE:	Without load, 1,000,000 cycles min
OPERATING FORCE:	2N~5N max
TORQUE:	1.5 Nm max. (applied to nut.)
IP PROTECTION CLASS:	IP67(Upper side:Protected against the effects of temporary immersion in water.)
SOLDERING HEAT RESISTANCE:	Max soldering temperature @ 260±5°C, immersion time 5±1sec
COLD TEST:	Stored at temperature -30(+/-3)°C for 96 hours, shall result no changes to switch's electrical performance
HOT TEST:	Stored at temperature +85(+/-3)°C for 96 hours, shall result no changes to switch's electrical performance
HUMIDITY TEST:	Stored at temperature 40(+/-2)°C with relative humidity 90%~95% for 96 hours, shall result no changes to switch's electrical performance

MATERIAL CHARACTERISTICS

CASE:	DAP
CAP BUSHING:	Polyamide 6/6
CONTACT TERMINAL:	Gold over silver plated

SOLDERING & CLEANING RECOMMENDATION

HAND SOLDERING:	Max. temperature @ 350Celsius degree with continuous soldering time @ 5sec. max.
CLEANING PROCESS:	Noted, the switch is "not totally sealed" so it is important not to immerse/spray or clean unsealed areas of the switch during flux removal. Improper cleaning could cause switch deficiencies such as intermittence or open contact failures

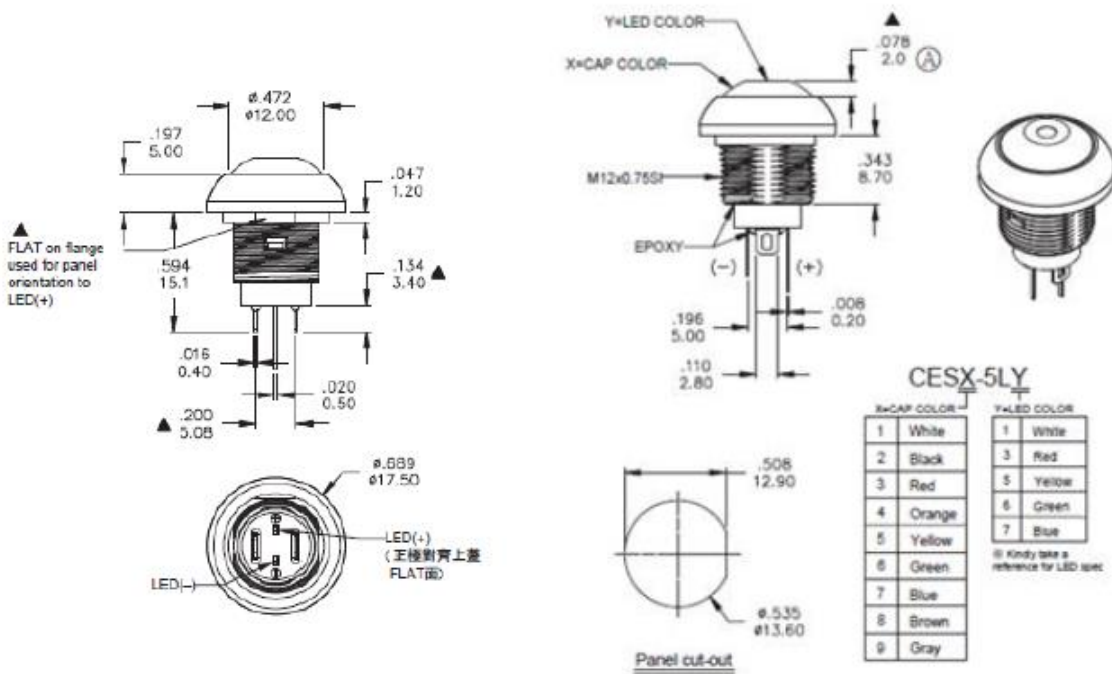


RS P/N

Single Pole off / Momentary round Red / yellow LED Chrome	8919842
Single Pole off / Momentary round White / Blue LED Chrome	8919851
Single Pole off / Momentary round Black / Green LED chrome	8919854
Single Pole off / Momentary round Black / Yellow LED chrome	8919858
Single Pole off / Momentary round Black / Red LED Chrome	8919867

LED Electro-Optical Characteristics:

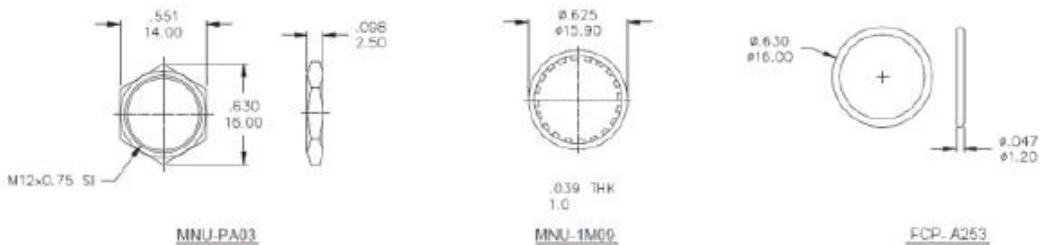
Model No.	Lens Appearance	Color	Electro-optical Data (AT 20mA)				Peak Wavelength	Viewing Angle 2θ 1/2 (deg)	
			Vf (V)		Iv (mcd)				
			Typ.	Max.	Typ.	Min.			
PAS6 & PAS7	Water Clear	Super White	2.8	3.3	200	100	X / Y=0.27	35°	
		Super Red	2.0	2.5	700	200	645		
		Yellow	2.1	2.6	100	55	589		
		Green	2.2	2.7	130	70	565		
		Super Blue	3.1	3.6	580	250	460		
		Super Yellow (Super Green)	Y	2	2.6	475	210		590
			G	2	2.6	210	140		570
		Super Yellow (Super Blue)	Y	2.1	2.6	200	94		590
			B	3.2	3.6	200	94		460
		Super Yellow (Super Red)	Y	2.1	2.6	100	63		590
			R	2	2.6	90	42		630
		Super Red (Super Green)	R	2	2.6	90	42		630
			G	2.0	2.6	90	42		570
		Super Red (Super Blue)	R	2	2.6	90	42		630
B	3.2		3.6	200	94	460			
Super Green (Super Blue)	G	2.0	2.6	100	42	570			
	B	3.2	3.6	200	94	460			



Model No.	POS.1	POS.2
	PAS6	OFF
Term. Conn.	OPEN	SHORT
SCHEMATIC		

SWITCH FUNCTION

HARDWARE



	PART NO.	PART NAME	Q'TY
1	MNU-PA03	M12 X 0.75 NUTS	1
2	MNU-1M09	LOCKING WASHER	1
3	FCP-A253	O-RING	1