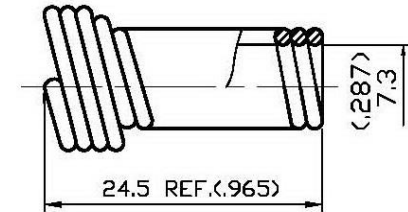
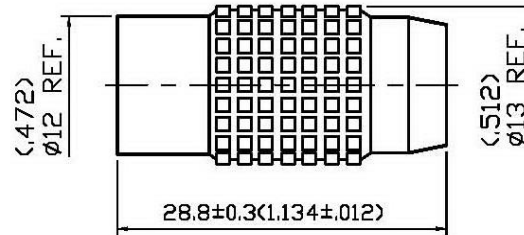
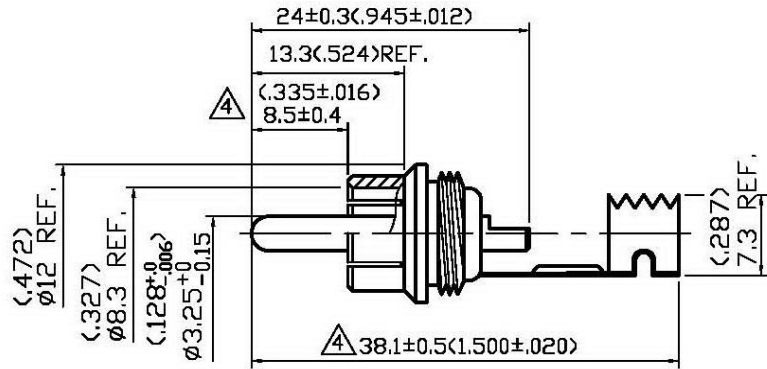
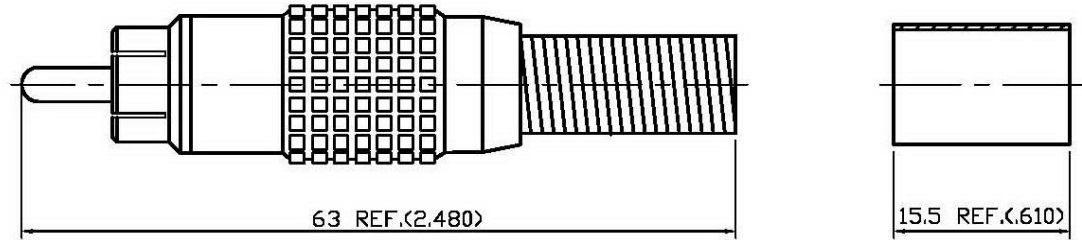


NO	DESCRIPTION	DATE
①	28±0.3 → 28.8±0.3	05.14.98
②	MODIFICATION FOR SHELL ③	09.04.01'
③	ADD MIS PART NO: R14-041-00-0007120B0 (P/N:106947) ADD MIS PART NO: R14-041-00-0007120B1 (P/N:106953) ADD MIS PART NO: R14-041-00-0007120B2 (P/N:106969) ADD MIS PART NO: R14-041-00-0007120B3 (P/N:106975)	03.24.11'
④	8.2±0.4 → 8.5±0.4 37.2±0.5 → 38.1±0.5	10.04.11'



MIS PART NO: R14-041-00-0007120B1 (P/N:106953) ③

APPROVED

by _____ DATE: _____

6	GASKET	PE	1	NONE
5	SPRING	SW.	1	GOLD
4	INSULATION	POM	1	NONE
3	SHELL	ALUMINIUM	1	RED
2	PIN	BRASS	1	GOLD
1	BODY	BRASS	1	GOLD
NO	DESCRIPTION	MATERIAL	Q'TY	FINISH

③



DESCRIPTION		RCA STRAIGHT PLUG	
製圖	DRAWN	TOLERANCE	品名
	Kristina	.X ±0.2	14-41 D.G.G
檢圖	CHECK	.XX ±0.1	TITLE
	Arc	.XXX ±0.05	\ROHS COMPLIANT (75Ω)
認定	APPROVAL	ANGLE ±5°	單位
	Jenny		mm
		比例	SCALE
			2:1
		DWG.NO.	14-0029
日期	DATE	版次	REV.
01.10.95'		A-4	