



ENGLISH

Datasheet

## RS Pro Control Station Switch

RS Stock No: **768-3520**



### Product Details

RS Pro control station switch is manufactured from mild steel for durability. It operates on a voltage rating of 240 V ac and current rating of 20 A. It is suitable for industrial, commercial and workshop applications. The control station switch meets BS5733 standards.

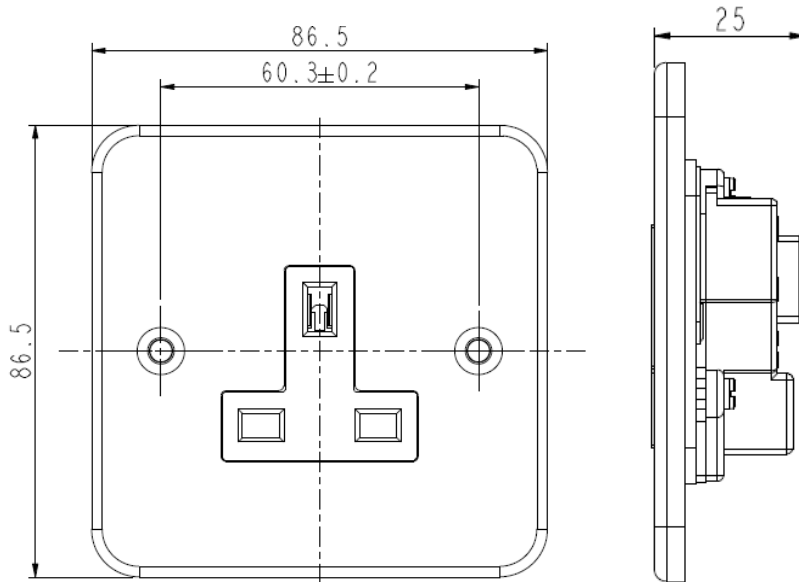
### Features and Benefits

- Made from mild steel
- Ideal for industrial, commercial and workshop applications
- BS5733

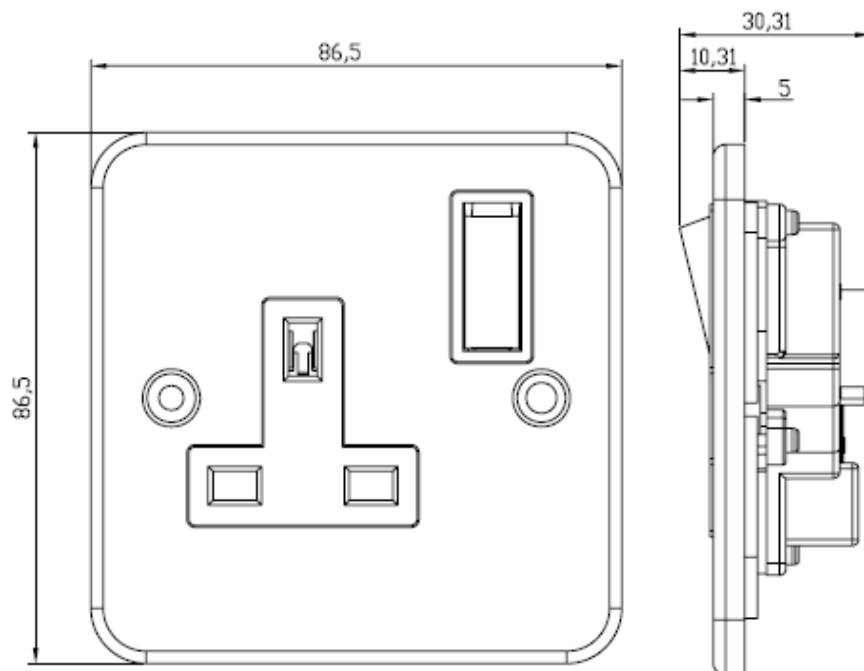


**Specifications:**

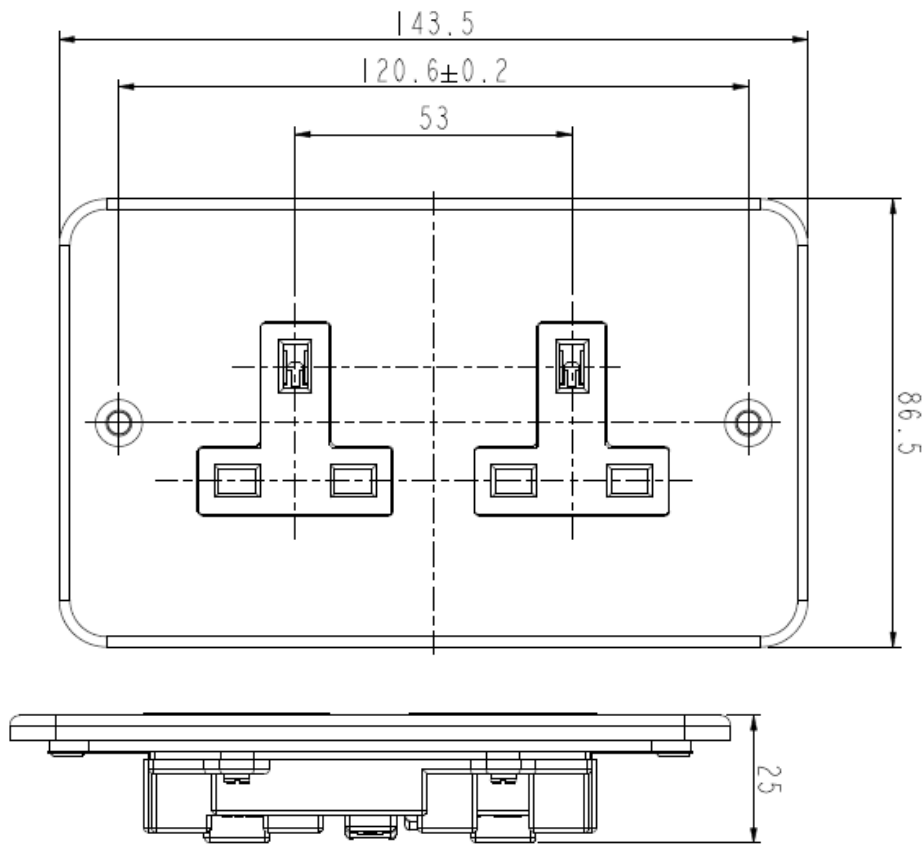
Depth	31.65 mm
Length	86.5 mm
Maximum AC Voltage	240 V ac
Maximum Current	20 A
Push Button Actuation	Off-On
Push Button Marking	Off, On
Width	86.5 mm
Standards Met	BS3676; ASTA Approved



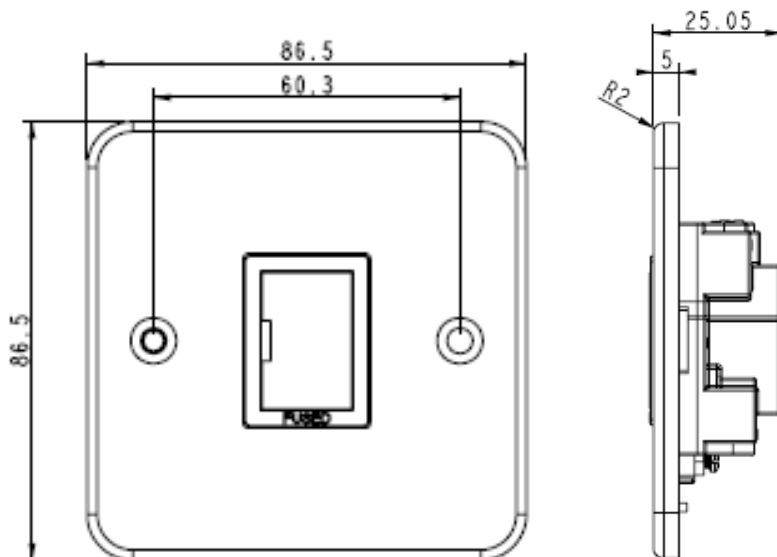
13A METALCLAD SINGLE SOCKET RS Stock No.: 768-3501



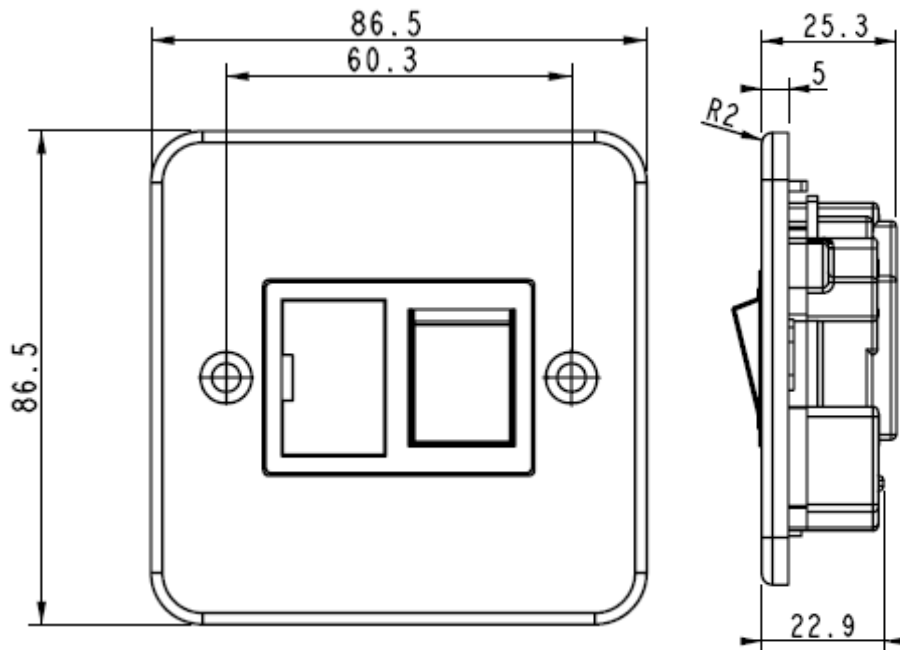
13A METALCLAD SINGLE SWITCHED SOCKET, WHITE INSERT RS Stock No.: 768-3504



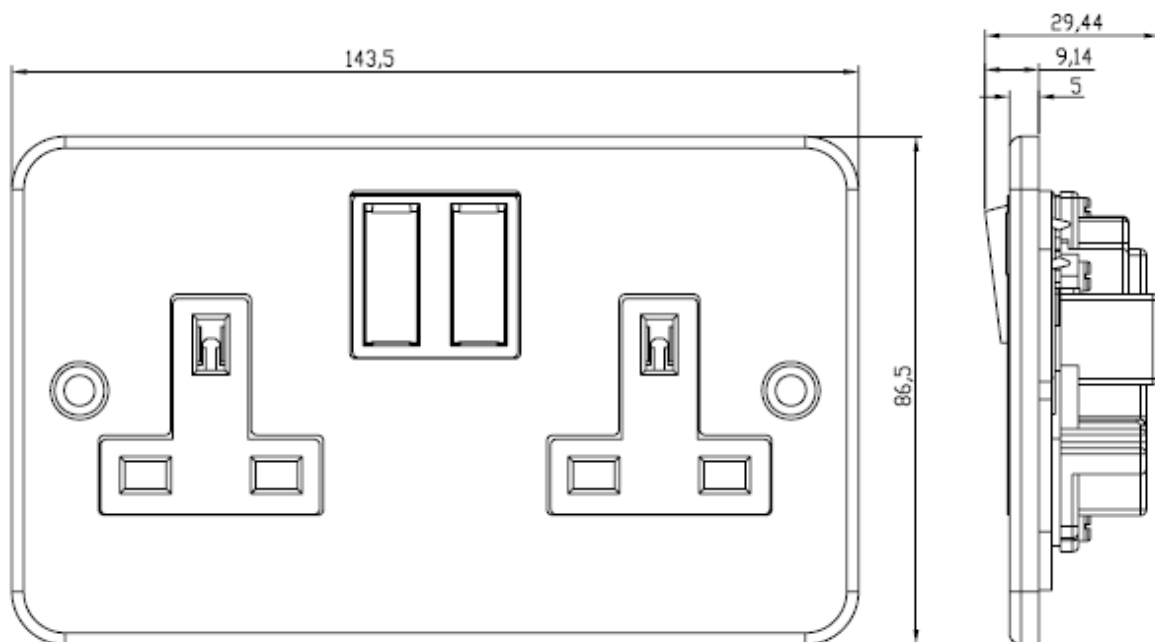
13A METALCLAD TWIN SOCKET RS Stock No.: 768-3508



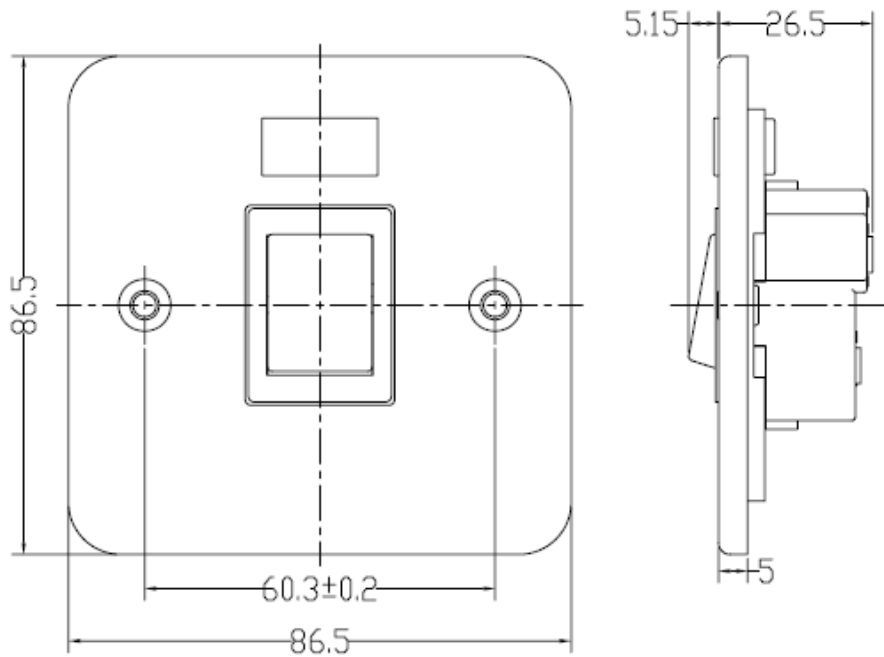
13A METALCLAD FUSED SPUR UNIT RS Stock No.: 768-3510



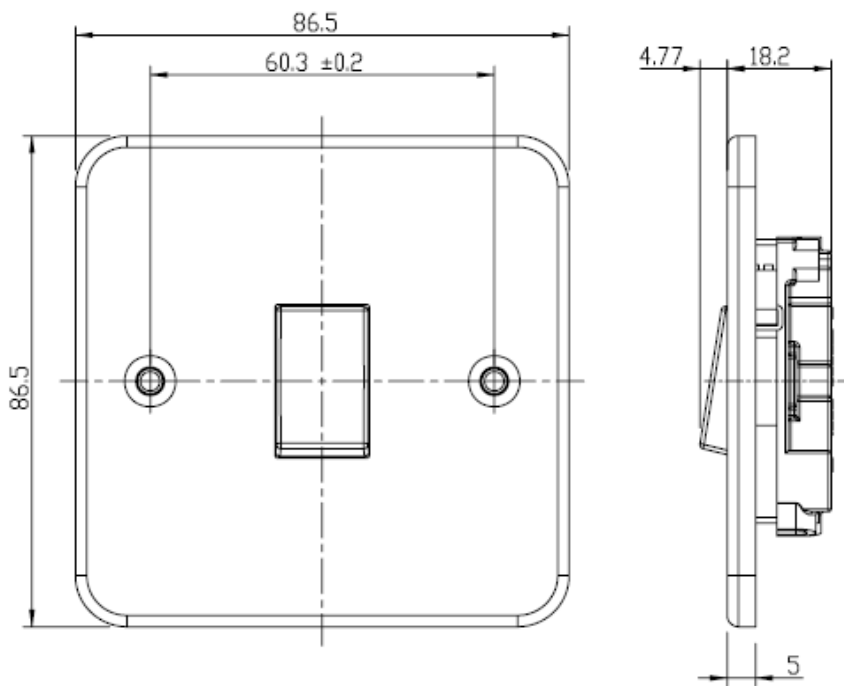
13A METALCLAD FUSED & SWITCHED DP SPUR RS Stock No.: 768-3514



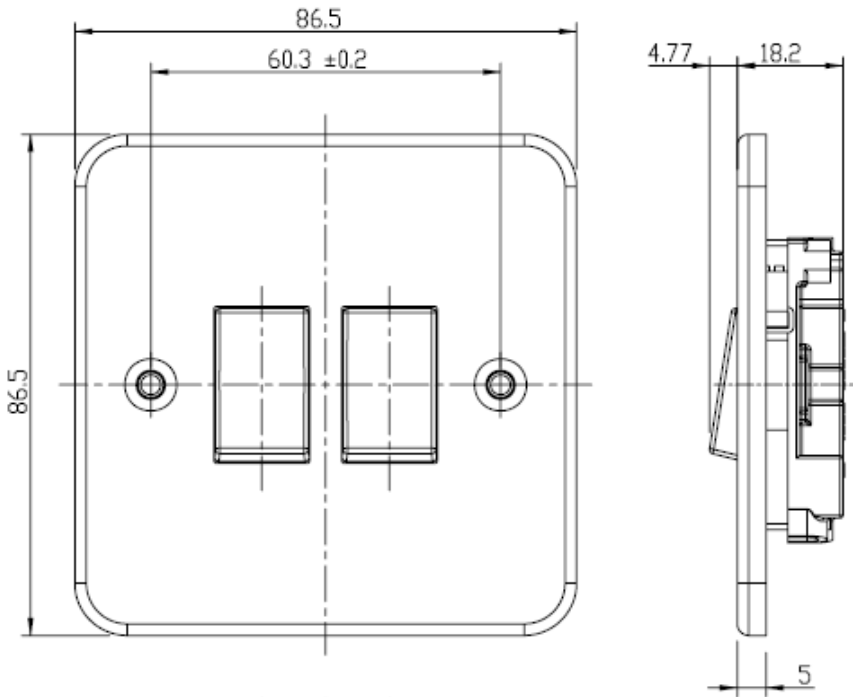
13A METALCLAD TWIN SWITCHED SOCKET RS Stock No: 768-3517



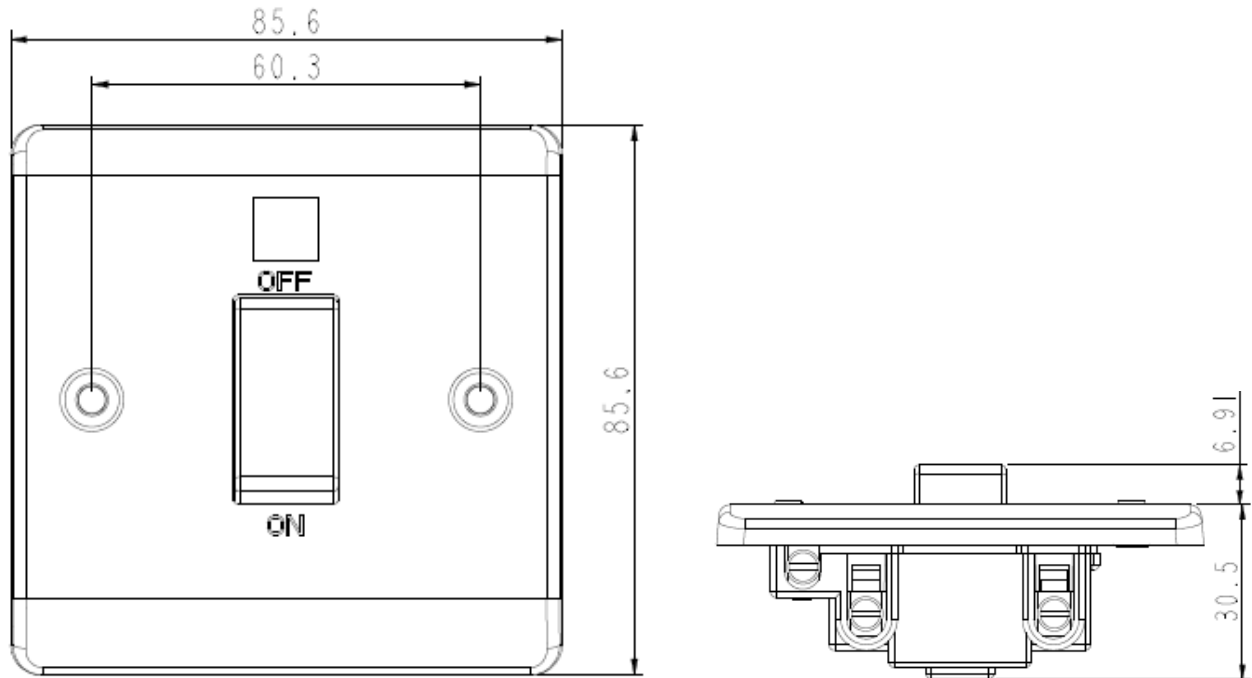
20A DP METALCLAD SWITCH WITH NEON RS Stock No.: 768-3520



1 GANG METALCLAD SWITCH RS Stock No.: 768-3523



2 GANG METALCLAD SWITCH RS Stock No.: 768-3526



45A DP METALCLAD SWITCH WITH NEON RS Stock No.: 768-3539