

# EX-PROOF FLUORESCENT TUBULAR LIGHT FITTING

## SXCF Series



## TECHNICAL INFORMATION

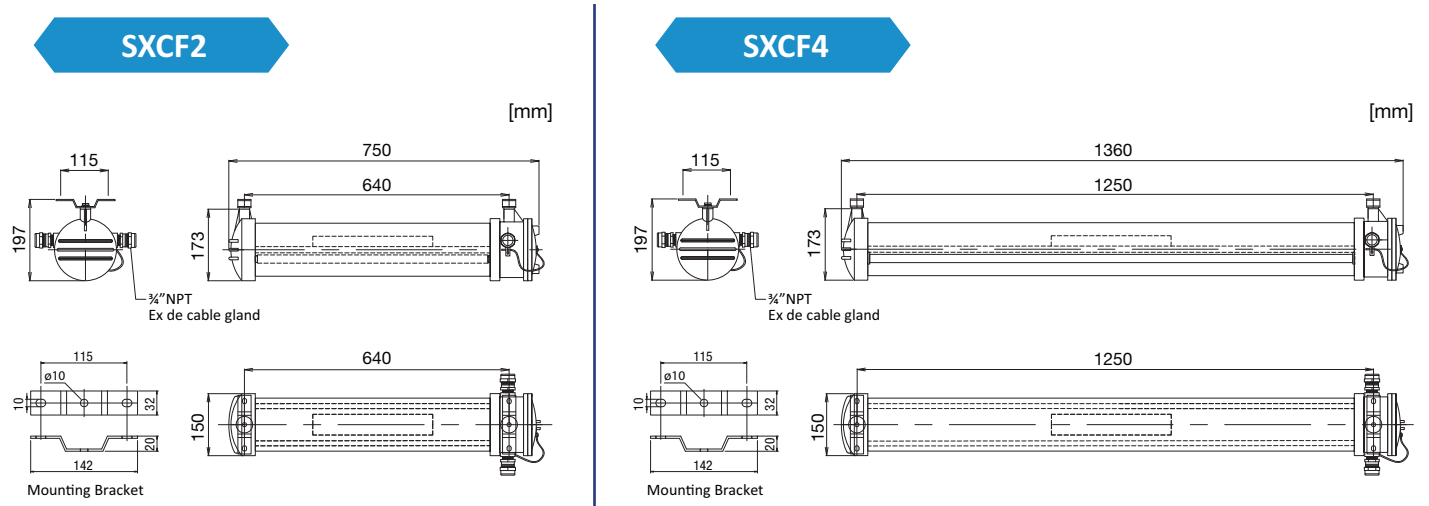
<b>Certification</b>	ATEX and IECEx approvals for Zones 1/2 & 21/22 applications Ex db IIC T6 Gb and Ex tb IIIC T85°C Db IP66 Ingress Protection
<b>Housing</b>	Aluminium alloy housing with anti-corrosion powder coating RAL5002 Ultramarine blue colour Options for glass or polycarbonate diffuser
<b>Connection</b>	¾" NPT Ex de cable gland for cables with steel wire, aluminium, braided and tape armour. Supports cable diameter from 11.5mm to 16mm Option for additional second cable gland for emergency power input
<b>EMC</b>	IEC 60533 electromagnetic compatibility to all maritime vessels and offshore MDUs
<b>Emergency Lighting</b>	Optional emergency type luminaire includes 3hrs battery backup for sustained emergency lighting on one fluorescent tube only Maintained and non-maintained modes are supported
<b>Warranty</b>	1 year warranty

## CERTIFICATIONS

ATEX Directive (2014/34/EU)  
INERIS 20ATEX0008X  
IECEx INE 20.0007X

 II 2 GD  
Ex db IIC T6 Gb  
Ex tb IIIC T85°C Db

## MEASUREMENTS



## ORDER CODES

Item Code	Type	Diffuser	Main Voltage	Power	Ambient Temp (Ta)	Weight
CLSXCF215PA	SXCF215PA	Polycarbonate	100V - 240V AC	1x18W	-20°C ~ +45°C	5.2kg
CLSXCF215PAB	SXCF215PAB	Polycarbonate	100V - 240V AC	1x18W	0°C ~ +45°C	6.3kg
CLSXCF225PA	SXCF225PA	Polycarbonate	100V - 240V AC	2x18W	-20°C ~ +45°C	5.3kg
CLSXCF225PAB	SXCF225PAB	Polycarbonate	100V - 240V AC	2x18W	0°C ~ +45°C	6.4kg
CLSXCF415PA	SXCF415PA	Polycarbonate	100V - 240V AC	1x36W	-20°C ~ +40°C	7.6kg
CLSXCF415PAB	SXCF415PAB	Polycarbonate	100V - 240V AC	1x36W	0°C ~ +40°C	8.7kg
CLSXCF425PA	SXCF425PA	Polycarbonate	100V - 240V AC	2x36W	-20°C ~ +40°C	7.7kg
CLSXCF425PAB	SXCF425PAB	Polycarbonate	100V - 240V AC	2x36W	0°C ~ +40°C	8.8kg
CLSXCF215GA	SXCF215GA	Glass	100V - 240V AC	1x18W	-20°C ~ +55°C	8.3kg
CLSXCF215GAB	SXCF215GAB	Glass	100V - 240V AC	1x18W	0°C ~ +55°C	9.4kg
CLSXCF225GA	SXCF225GA	Glass	100V - 240V AC	2x18W	-20°C ~ +55°C	8.4kg
CLSXCF225GAB	SXCF225GAB	Glass	100V - 240V AC	2x18W	0°C ~ +55°C	9.5kg
CLSXCF415GA	SXCF415GA	Glass	100V - 240V AC	1x36W	-20°C ~ +55°C	13.6kg
CLSXCF415GAB	SXCF415GAB	Glass	100V - 240V AC	1x36W	0°C ~ +55°C	14.7kg
CLSXCF425GA	SXCF425GA	Glass	100V - 240V AC	2x36W	-20°C ~ +55°C	13.7kg
CLSXCF425GAB	SXCF425GAB	Glass	100V - 240V AC	2x36W	0°C ~ +55°C	14.8kg

\*Type number ending with "B" denotes emergency type luminaire with 3hr battery backup for maintained emergency lighting on one fluorescent tube. Maintained emergency lighting on all fluorescent tubes is also supported when connected to both normal mains and emergency power supplies.