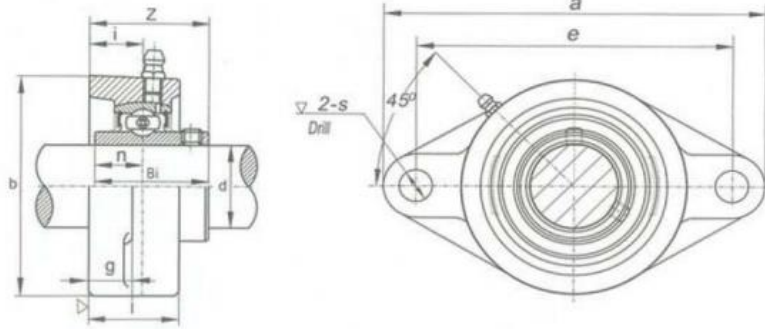


Datasheet

2 Bolt Flange Bearing unit - Metric



RS Article no.	Shaft Dia.	Dimension (mm)									
	d (mm)	a	e	i	g	l	s	b	z	Bi	n
7508851	12	113	90	15	12	25.5	12	60	33.3	31.0	12.7
7508860	15	113	90	15	12	25.5	12	60	33.3	31.0	12.7
7508863	17	113	90	15	12	25.5	12	60	33.3	31.0	12.7
7508867	20	113	90	15	12	25.5	12	60	33.3	31.0	12.7
7508879	25	130	99	16	14	27.0	16	68	35.7	34.0	14.3
7508873	30	148	117	18	14	31.0	16	80	40.2	38.1	15.9
7508885	35	161	130	19	16	34.0	16	90	44.4	42.9	17.5
7508898	40	175	144	21	16	36.0	16	100	51.2	49.2	19.0
7508891	45	188	148	22	18	38.0	19	108	52.2	49.2	19.0
7508895	50	197	157	22	18	40.0	19	115	54.6	51.6	19.0
7508905	55	224	184	25	20	43.0	19	130	58.4	55.6	22.2
7508908	60	250	202	29	20	48.0	23	140	68.7	65.1	25.4

RS Article no.	Bolt used	Housing No.	Weight (kg)
	(mm)		
7508851	M10	FL 201	0.49
7508860	M10	FL 202	0.49
7508863	M10	FL 203	0.49
7508867	M10	FL 204	0.49
7508879	M14	FL 205	0.63
7508873	M14	FL 206	0.94
7508885	M14	FL 207	1.2
7508898	M14	FL 208	1.6
7508891	M16	FL 209	1.9
7508895	M16	FL 210	2.2
7508905	M16	FL 211	3.2
7508908	M20	FL 212	4.1