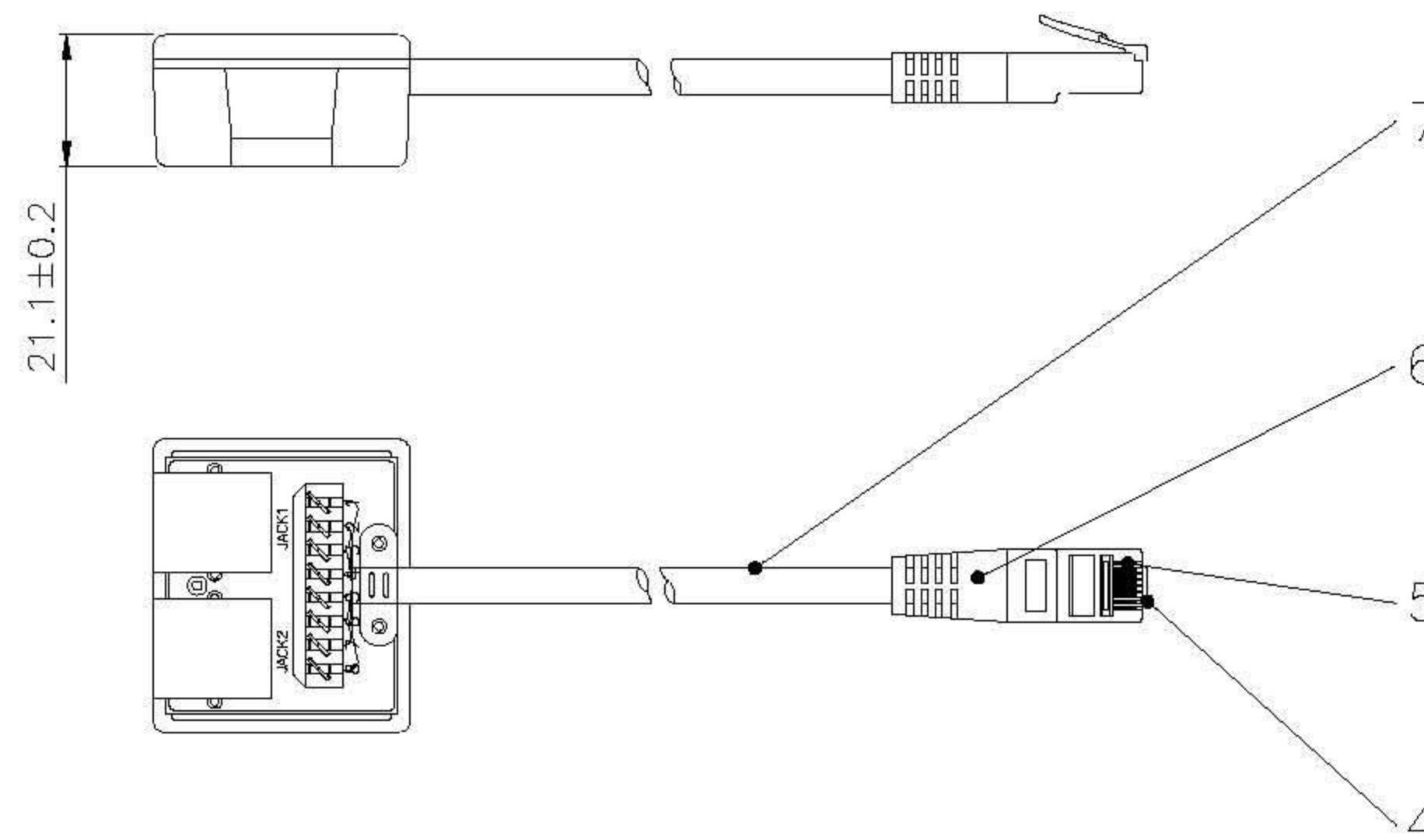
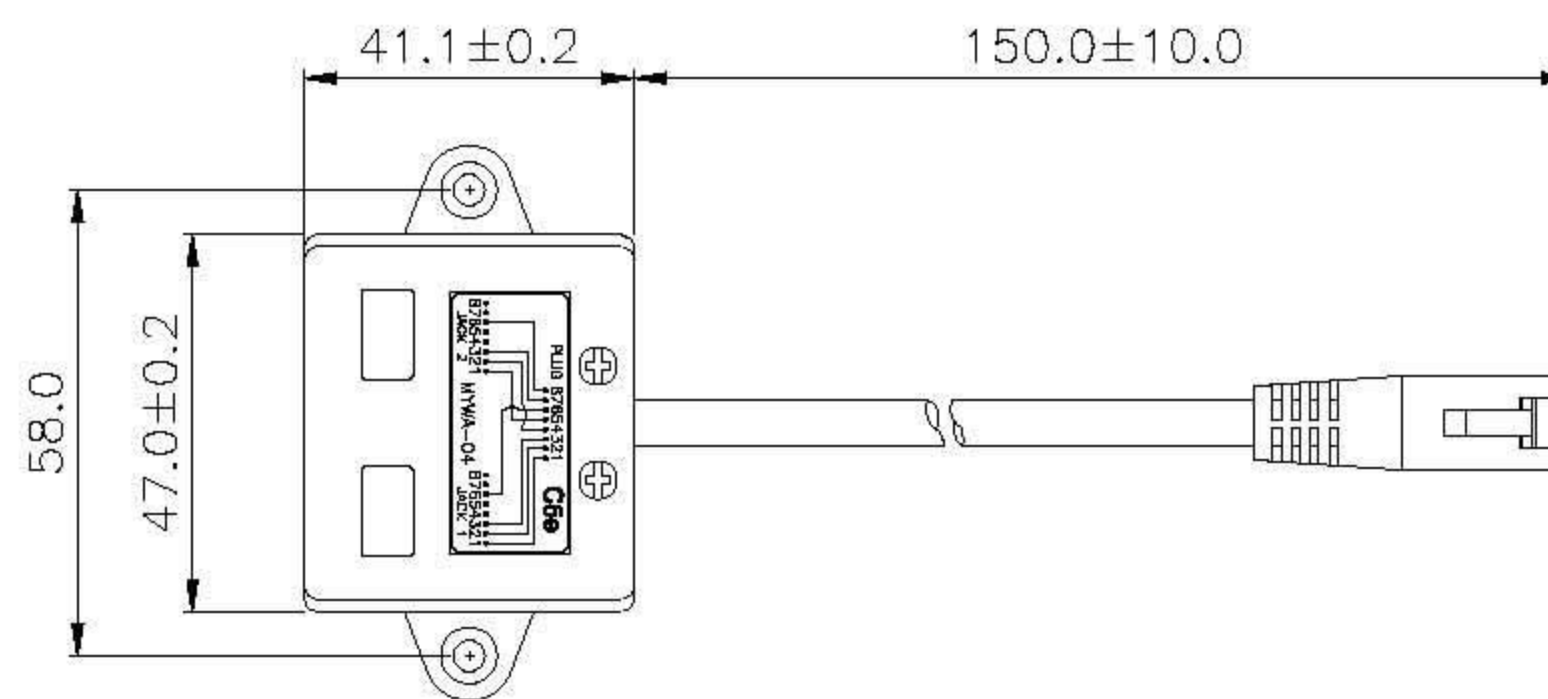
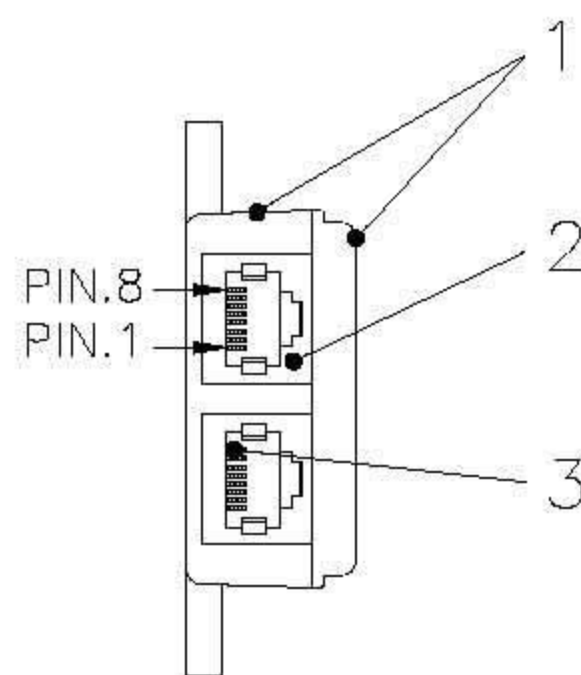
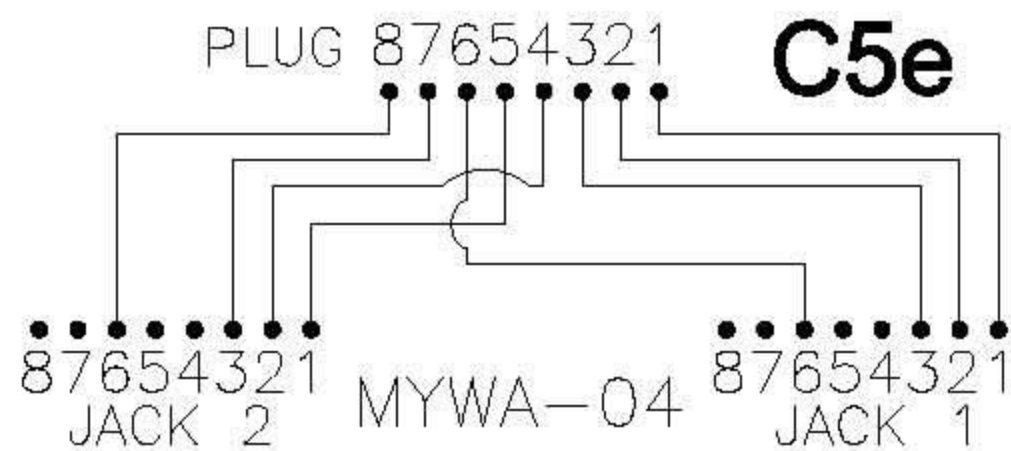


Wiring information



Specification :

Material :

1. Top & Bottom case : ABS, UL 94-HB.
2. RJ45 JACK Housing : PBT, UL 94V-0.
3. RJ45 JACK Contact material & finished :
 - 3-1. Phosphor Bronze with 50-60 micro-inch Nickel plated.
 - 3-2. Contact area : Min. 3mm 50 micro-inch Gold plated.
4. RJ45 Plug Housing : Polycarbonate, UL 94V-0, Transparent color.
5. RJ45 Plug Contact material & finished :
 - 5-1. Phosphor Bronze with 50-60 micro-inch Nickel plated.
 - 5-2. Contact area : Min. 50 micro-inch Gold plated.
6. Assembly Type : Normal Molded, White PVC.
7. Cable Type : (UTP) Unshielded Twisted Pair, 24 AWG Stranded Conductor.

Performance :

- a. Operation Temperature : -40°C to 80°C.
- b. Insertion Force : 900 gms for 8 contacts.
- c. Retention Strength : 7.7 kgs between Jack and Plug.
- d. Durability : 750 cycles Plug-Jack mating and unmating test, insertion cycles at 20 cycles/minute max. Contact resistance test per 100 cycles.

GENERAL TOLERANCE OF DIMENSIONS X.XXX ±0.005 X.XX ±0.05 X.X ±0.1	DRAWING	22.JUN.2005	Michelle	ITEM NO.: 21.99.3045
	CHECK	22.JUN.2005	Jaimy	
	APPROVAL	22.JUN.2005	Magic	
	DATE		NAME	
SCALE	1/2 (A4)	UNIT	mm	DES.: CAT.5e Modular "Y" Wiring Adaptor
DRAWING NO.		MYWA04-C5E-XX(SA2)		DRAWING CLASSIFICATION
DRAWING CLASSIFICATION		S	SHEET 1 OF 1	

