

Datasheet

ENGLISH

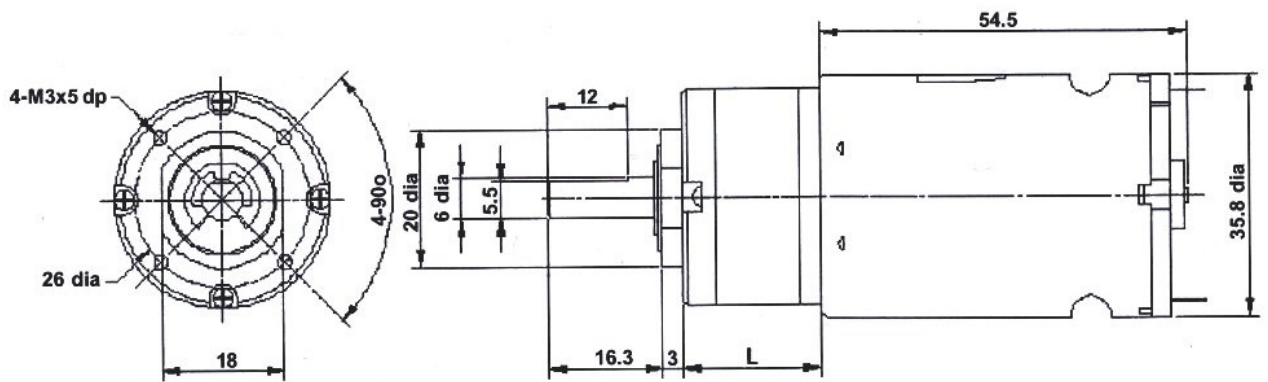
RS PRO, 12 V dc, 12000 gcm, Brushed DC Geared Motor, Output Speed 28 rpm

Stock No: 454-0899



Specifications:

Output Speed	28 rpm
Supply Voltage	12 V dc
Maximum Output Torque	12000 g.cm
DC Motor Type	Brushed
Shaft Diameter	6mm
Power Rating	19.8 W
Gearhead Type	Planetary
Length	95.7mm
Width	35.8mm
Current Rating	2.81 A
Weight	334g



Operating relative humidity 20% ~ 85%
 Operating temperature range -10°C ~ +60°C

Ratio	L
516:1	41.2mm

Gearbox Housing material	Metal
Backlash at no-load	< 2.5°
Bearing at output	Sleeve bearings
Radial load (10mm from flange)	< 3 kgf
Shaft axial load	< 2.5 kgf
Shaft press fit force max	< 10 kgf
Radial play of shaft	< 0.05mm
Thrust play of shaft	< 0.3mm

Reduction Ratio	Rated tolerance Torque	Max momentary Tolerance Torque	Efficiency
1/516	12 kgf-cm Max.	36 kgf-cm	50%

Reduction Table RPM SUPPLY VOLTAGE	4.5v	6v	9v	12v	15v
454-0899	11	14	21	28	35

Note: Motor speeds may vary by (+) or (-) 12.5%