

## FEATURES

- Operating temperature range is from - 60 °C to + 300 °C
- RoHS and REACH compliant
- Silicon free

# RS PRO ELBOW CONNECTOR COMPRESSION

RS Stock No.: 2312558



RS PROfessionally Approved Products bring to you professional quality parts across all product categories. Our product range has been tested by engineers and provides a comparable quality to the leading brands without paying a premium price.

## Product Description

The RS PRO elbow connector compression is made up of brass. The working pressures and working temperatures depend on which type of tube is used, for this reason, the values must be determined in accordance with the tube's features. Hereunder, we specify the values of the maximum pressure advised for the fittings at a temperature of 20° C connected with copper tube, which has a thickness of 1 mm. Here the tube size is 6 and corresponding maximum pressure advised is 148.4 bar.

## General Specifications

<b>Fitting Type</b>	Elbow
<b>Angle</b>	90°
<b>Material</b>	Brass
<b>Fitting Direction</b>	Elbow
<b>Application</b>	Compressed Air, Pneumatic Automation, Industrial water circuits, Inert Gases, Fluids, Steam Vacuum

## Mechanical Specifications

<b>Connection 1</b>	M14 Metric Female
<b>Connection Gender 1</b>	Female
<b>Thread Size 1</b>	M14
<b>Thread Standard 1</b>	Metric
<b>Connection 2</b>	M14 Metric Female
<b>Connection Gender 2</b>	Female
<b>Thread Size 2</b>	M14
<b>Thread Standard 2</b>	Metric
<b>Length</b>	24 mm
<b>Wrench Size</b>	9mm

## Operation Environment Specifications

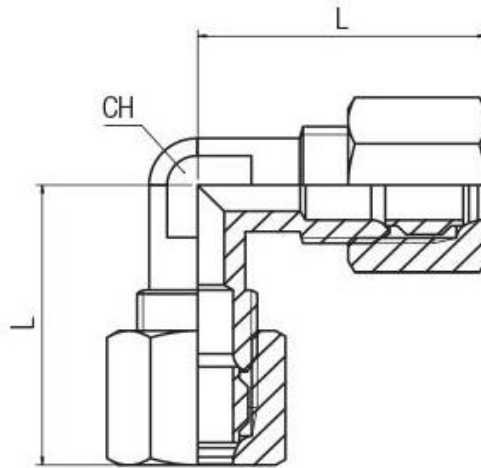
Temperature	<b>Min.</b>	<b>Max.</b>
	- 60 °C	+ 300 °C

## Approvals

Approvals	RoHS and REACH compliant
-----------	--------------------------

## Similar Products

Parameters	2312557	2312559
Brand	RS PRO	RS PRO
Connection 1	M14 Metric Female	M14 Metric Female
Connection Gender 1	Female	Female
Thread Size 1	M14	M14
Thread Standard 1	Metric	Metric
Connection 2	M14 Metric Female	M14 Metric Female
Connection Gender 2	Female	Female
Thread Size 2	M14	M14
Thread Standard 2	Metric	Metric
Length	21.5mm	30mm
Wrench Size	8mm	11mm



Tube	L	CH	Pack
6	24	9	10