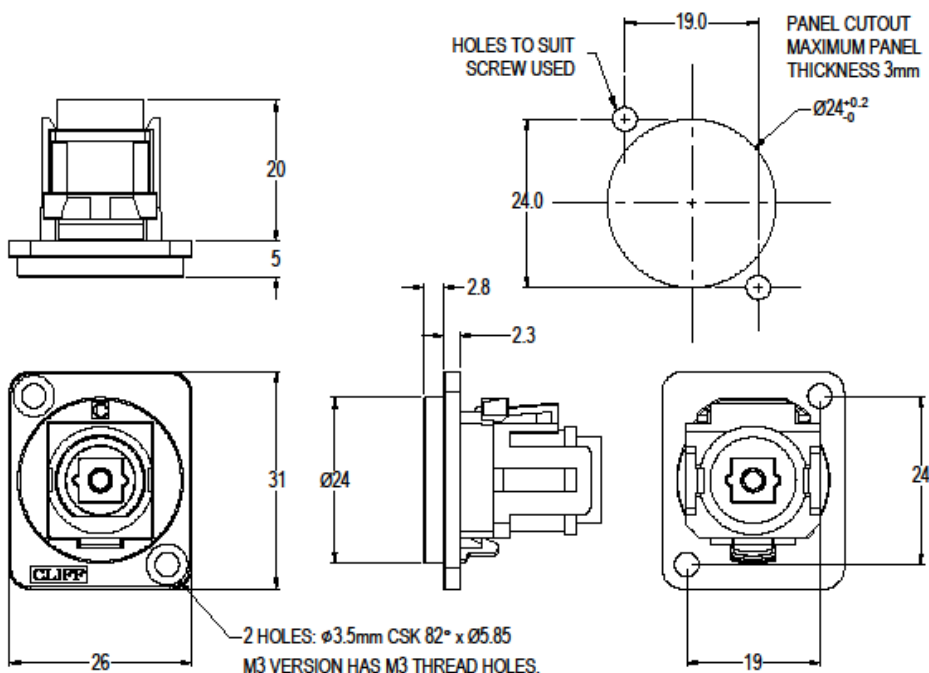


Datasheet

RS PRO TOSLINK METAL M3 FEEDTHROUGH CONNECTOR

Stock No: 2035592, 2035593



Material:
 1. Insert: ABS
 2. Frame: Nickel or black plated zinc diecast

Notes:
 1. Operating Temperature: -20°C to 50°C

Features & Benefits:

- Fits standard XLR Ø24mm cutout.
- No soldering or punch termination. Use standard cable for each connector style.
- Front or rear mounted.
- Low rear profile

General:

Please note: Functionality is affected by cable quality, length and cable wiring configuration.

Other models available:

Part No.

- | | |
|----------------|--|
| 8987609 | Toslink Black plastic frame, CSK holes |
| 9075659 | Toslink Nickel plated metal frame, CSK holes |
| 9160249 | Toslink Black metal frame, CSK holes |
| 8987618 | Toslink Black plastic frame, PLAIN holes |



rspro.com

