

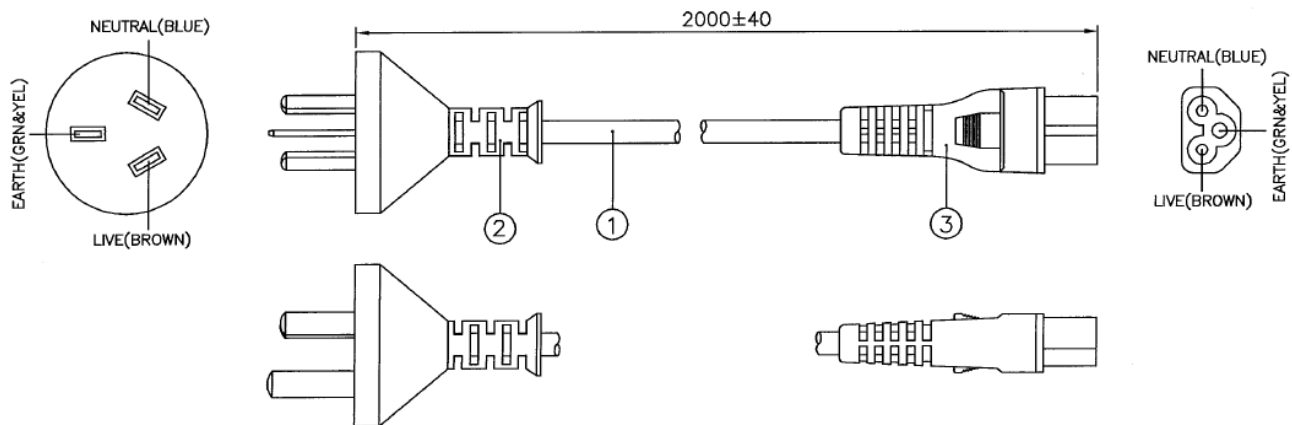
Datasheet

Chinese Power Supply Cordset

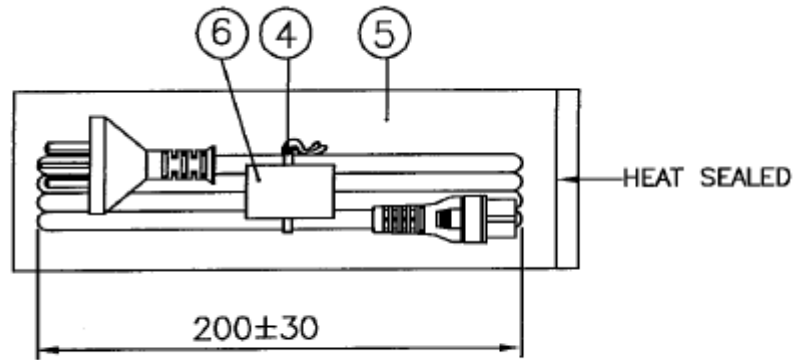
RS Stock number 909-2196

Note:

- All dimensions in mm.
- The cord shall comply with GB/T5023-2008.
- The molded plug shall comply with GB2099.1-2008 & GB1002-2008
- The molded connector shall comply with GB17465.1
- This cordset shall comply with China RoHS



| S/N | Description | Item Number | Qty. |
|-----|---|-------------|------|
| 1 | RW 300/500 3x0.75 blk PVC lead free (ccc) | 3212069 | 1 |
| 2 | Molded plug V3203C (10A 250V) | V3203C | 1 |
| | IP60G NL7976B blk | 4100115 | - |
| 3 | Molded Connector VAC5S (2.5A 250V) | VAC5S | 1 |
| | IP60G NL7976B blk | 4100115 | - |



APPROVED SOURCE FOR CABLE

1. BAO HING(SHENZHEN).
2. TA HSING(SHENZHEN).

| S/N | Description | Item Number | Qty. |
|-----|-----------------------|-------------|------|
| 4 | 6" PE Tie blk | 6310056 | 1 |
| 5 | Bag LDPE 283x114x0.05 | 904028 | 1 |
| 6 | Printed label | VL-0538 | 1 |