

**Datasheet**

# RS PRO Fire Rated Electric Release

Stock No: 192-4538



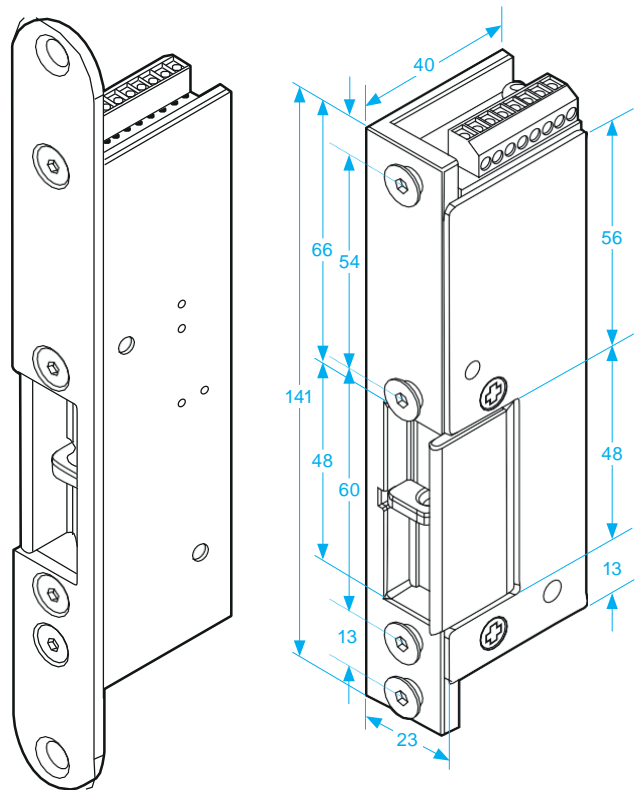
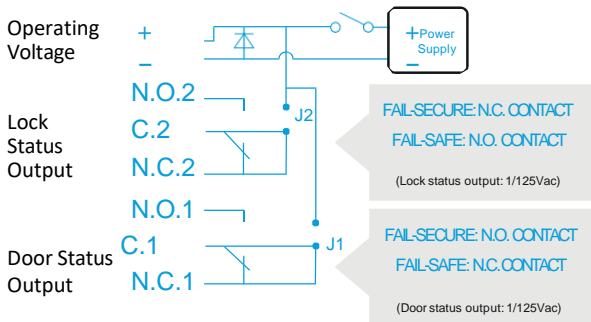
**Technical Specifications:**

200mm x 25mm x 40mm	FD30 + FD60 Rating
Operating voltage 12Vdc (24Vdc available to order)	Fail-safe
1500lbs holding force	500lbs side-load
1 Hour UK fire certificate	•Stainless Steel

## Features & Benefits:

- 1 Hour UK fire certificate
- 1500lbs holding force
- 500lbs side-load
- Operating voltage 12Vdc (24Vdc available to order)

## Dimensional line drawings



## Quality Standards:

BS EN1634:1

# General

- Voltage tolerance:  $\pm 10\%$ .
- Current draw: 280mA at 12Vdc, 140mA at 24Vdc (at temperature 20°C).
- Operating temperature: -10~45°C (14 to 131°F).
- Lock's surface temperature: Current temperature  $\pm 20\%$  (when power is on).
- Humidity: 0~95% non-condensing.
- Solenoids tested to 250,000 cycles.
- Weight: 673g (approx).