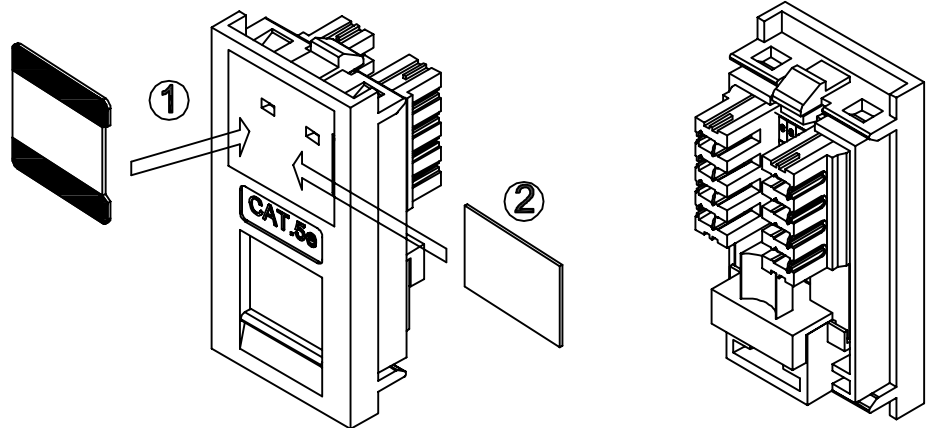


REVISIONS			
DATE	LTR	DESCRIPTION	ECN NO.
03/28/2003	A	NEW RELEASE	
09/25/2006	B	Modify round pin to flat pin.	0609030



Performance:

Meets Cat.5e EIA/TIA 568B.1 Standard.

Materials:

- Plastic Body : Fireproof ABS UL-94V0
- RJ-45 Jack : 8P8C 50 micro inches gold plated / Flat Pin
- PCB : FR-4 / 1.0mm UL-94V0
- IDC Body : Fireproof ABS UL-94V0
- IDC Pin : Bronze & Tinned

Label Color Code : T568 A/B

IDC Description : For 22-26 AWG.
For 110 or Krone punch-down Tool

Electrical Specifications:

- Insulation Resistance : 500M ohms (min.)
- Contact Resistance : 20m ohms (max.)
- Current Rating : 1.5 Amps .
- DC Resistance : 0.1 ohm (max.)
- Withstanding Voltage : 1000 VAC RMS @ 60Hz / 1 min.

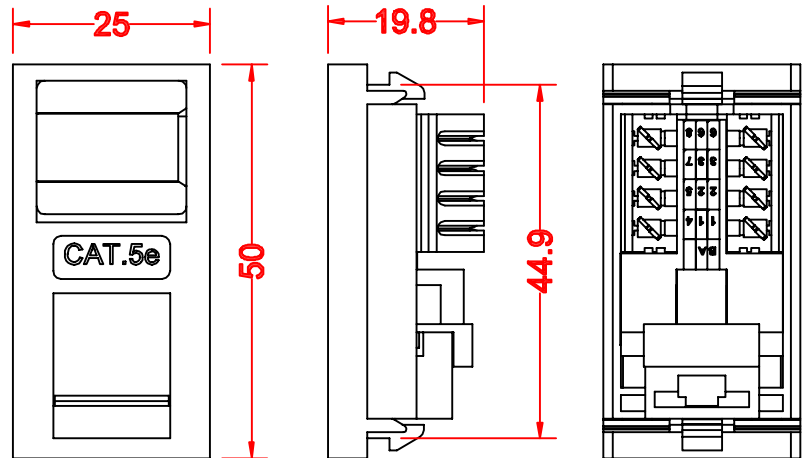
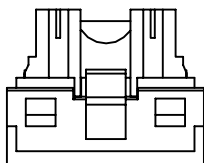
Mechanical Specifications:

- IDC Punch Down Cycle : Over 25 Cycles (min.)
- RJ-45 Jack Insertion Cycle : Over 2000 Cycles (min.)

Operation Temperature : -40 ~ +70 degree / C



Dimensions : m/m



Color coding information

- | | |
|---------------|---------------|
| T568B: | T568A: |
| 1—WH/OR | 1—WH/GN |
| 2—OR | 2—GN |
| 3—WH/GN | 3—WH/OR |
| 4—BL | 4—BL |
| 5—WH/BL | 5—WH/BL |
| 6—GN | 6—OR |
| 7—WH/BR | 7—WH/BR |
| 8—BR | 8—BR |

TOLERANCE :
· ± 1 · X ± 0.2 · XX ± 0.15

UNLESS OTHERWISE SPECIFIED TOLERANCE :		ANGLES : ±2°		TITLE		C3110
X.X ±0.3	DO NOT SCALE DRAWING		Cat.5e UK RJ-45 Keystone Jack (UTP)/Dual Type (Krone & 110)		REV. B	
DRAWN BY	SIZE A	UNIT mm	PART NO.	369-4765		
CHECKED BY	SCALE	2 : 1	THIRD ANGLE PROJECTION	PAGE 1 OF 1		
APPROVED BY	DATE			09/25/2006		
DWG NO.	ITEM NO.			E-KTB-U-D-1-4		