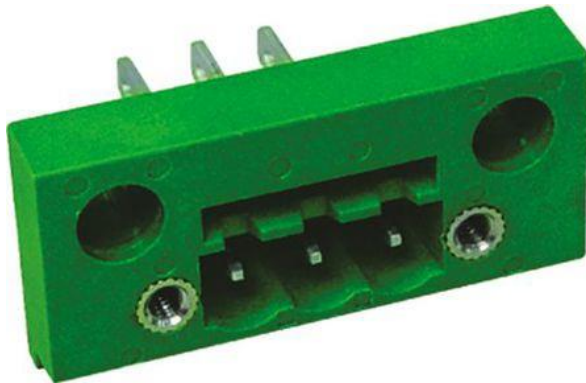


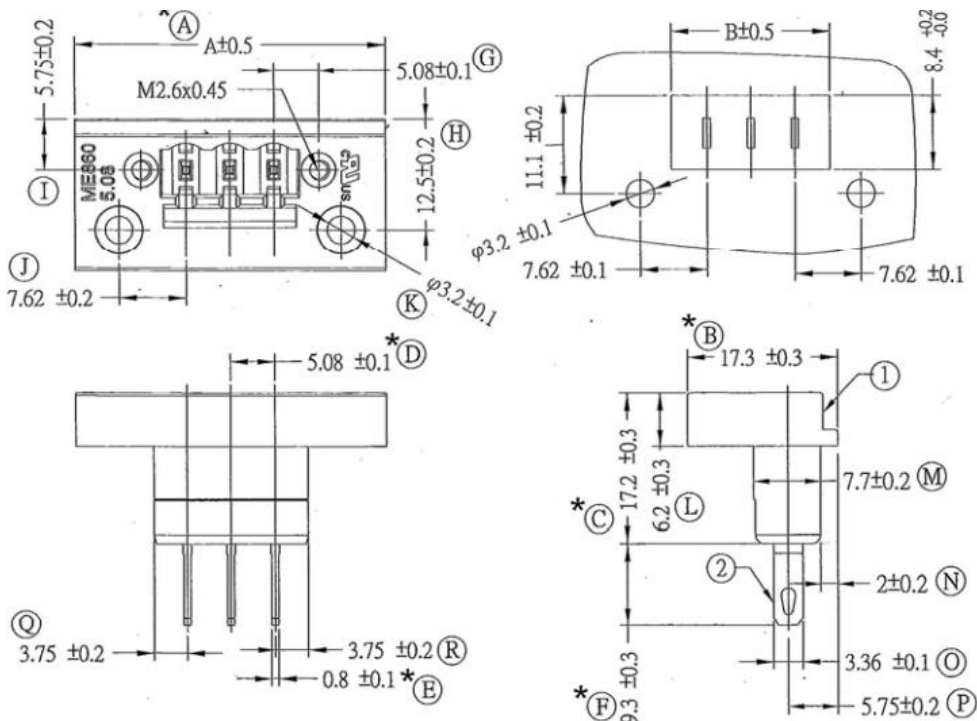
Datasheet

12 way 5.08mm feedthrough header

RS Stock 790-1058



Dimensions: (mm)



Specification

Current Rating: 16Amp AC300V
 Insulation Withstands Volts: AC2000V Min
 Insulation Resistance: >2000M Ω DC500V
 Operation Temperature: -40°C to + 120°C

Material

Insulating Body: PBT(UL94V-0)
 Solder Pin: Brass / Finish: Tin Plating