



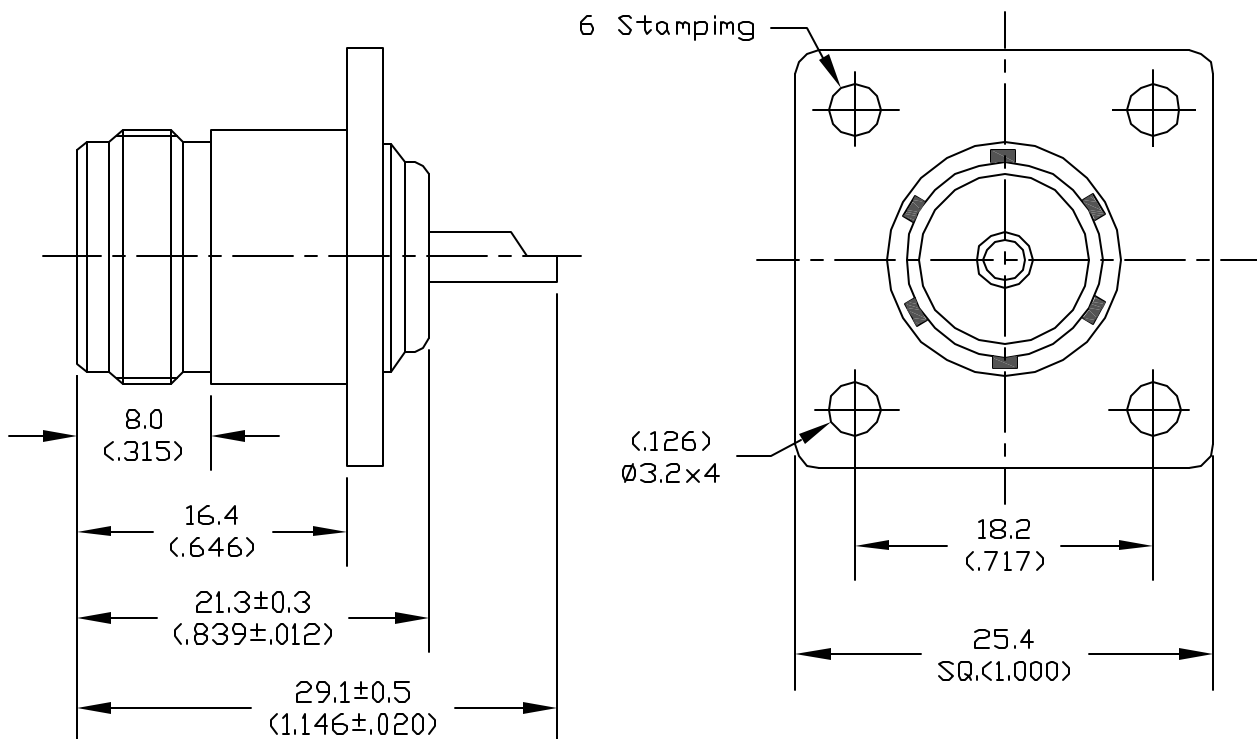
ALL RIGHTS RESERVED. NO PORTION OF THIS PUBLICATION, WHETHER IN WHOLE OR IN PART CAN BE REPRODUCED WITHOUT THE EXPRESS WRITTEN CONSENT OF SPC TECHNOLOGY.

SPC-F005.DWG

REVISIONS

DOC. NO. SPC-F005 * Effective: 7/8/02 * DCP No: 1398

DCP #	REV	DESCRIPTION	DRAWN	DATE	CHECKD	DATE	APPRVD	DATE
1939	A	Released	JN	11/13/08	JWM	11/13/08	JWM	11/13/08



ELECTRICAL

- Frequency Range: DC-11 GHz
- Nominal Impedance: 50 Ohm
- Working Voltage: 1000 Volts Max.
- Proof Voltage: 2500 Volts
- VSWR: 1.3 Max.

MATERIALS

- Bodies: Brass PER JIS-C3604
- Center Contact: Brass PER JIS-C3604
- Insulation: Teflon PER ASTM D1457 and ASTM D1710
- Square Flange: Brass PER JIS-C3604

MECHANICAL

- Interface in accordance with: MIL-STD-348A

ENVIRONMENTAL

- Operating Temperature Range: -65°C to +165°C

DESCRIPTION	MATERIAL	Q'TY	FINISH
Body	Brass	1	Nickel 100 μ" Min.
Center Contact	Brass	1	Gold
Square Flange	Brass	1	Nickel 100 μ" Min.
Insulation I	Teflon	1	None
Insulation II	Teflon	1	None

DISCLAIMER:
ALL STATEMENTS AND TECHNICAL INFORMATION CONTAINED HEREIN ARE BASED UPON INFORMATION AND/OR TESTS WE BELIEVE TO BE ACCURATE AND RELIABLE. SINCE CONDITIONS OF USE ARE BEYOND OUR CONTROL, THE USER SHALL DETERMINE THE SUITABILITY OF THE PRODUCT FOR THE INTENDED USE AND ASSUME ALL RISK AND LIABILITY WHATSOEVER IN CONNECTION THEREWITH.

TOLERANCES:
UNLESS OTHERWISE SPECIFIED, DIMENSIONS ARE FOR REFERENCE PURPOSES ONLY.

DRAWN BY:	DATE:
Jason Nash	11/13/08
CHECKED BY:	DATE:
Jeff McVicker	11/13/08
APPROVED BY:	DATE:
Jeff McVicker	11/13/08

DRAWING TITLE: N Square Flange Jack Receptacle			
SIZE A	DWG. NO. MC23558	ELECTRONIC FILE 96M8842.dwg	REV A
SCALE: NTS	U.O.M.: INCHES [mm]	SHEET: 1 OF 1	