

## Features

- Finished with hammertone paint
- Large reinforced anvil
- Replaceable steel serrated jaw
- 360° swivel base
- Bench mount

## RS PRO Bench Vice With 360 Degree Swivel Base 150mm

RS Stock No.: 2325722



RS PRO is the own brand of RS. The RS PRO Seal of Approval is your assurance of professional quality, a guarantee that every part is

rigorously tested, inspected, and audited against demanding standards. Making RS PRO the Smart Choice for our customers.

## Product Description

- *This vice is manufactured from Ductile Iron to withstand the most demanding work and tough application.*
- *Features a fast release lever to quickly loosen the jaws of the vice and return it to the locked position.*
- *360-degree swivel base providing unlimited clamping space and more safety.*
- 

## General Specifications

Vice Type	Bench Vice
Colour	Black
Material	Ductile iron
Base Type	360° swivel base

## Mechanical Specifications

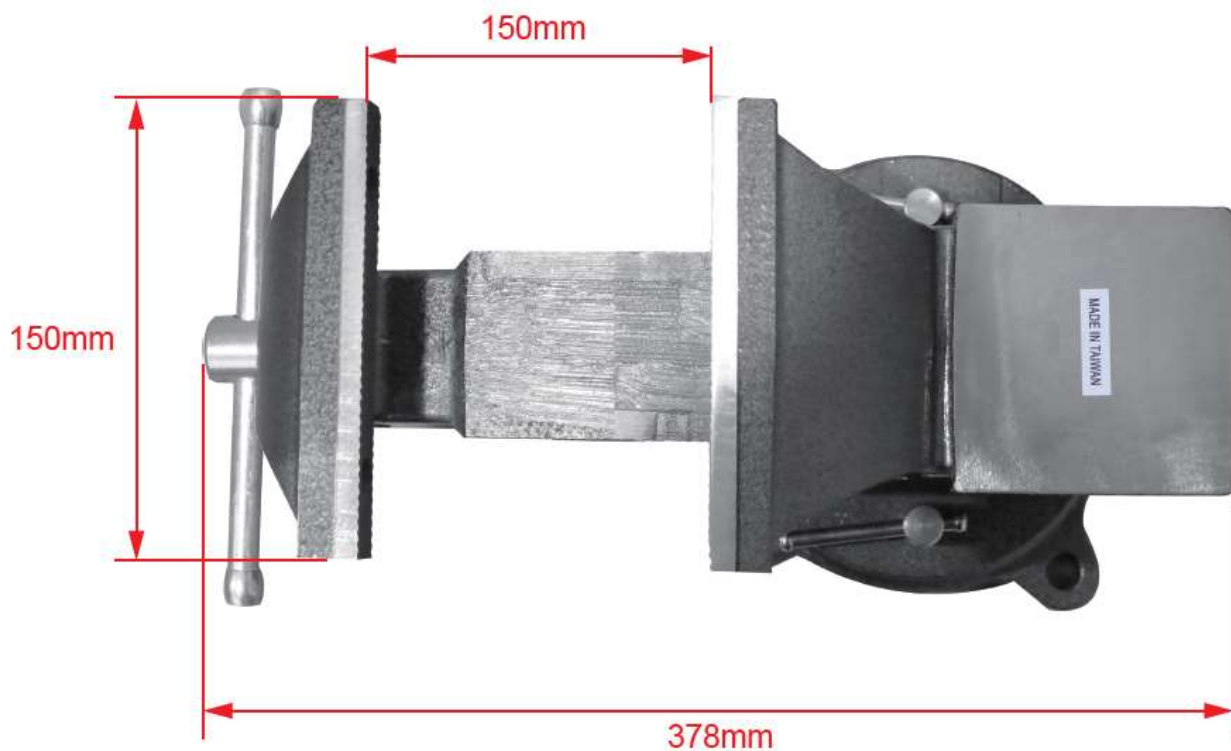
Max Jaw Opening	150mm
Jaw Width	150mm
Jaw Height Capacity	20mm
Overall Height from Base	175mm
Overall Length with Jaws Fully Closed	378mm
Maximum Clamping Force	3000N
Mounting	Bolts
Weight	12.28kg
Handle length	195mm
Diameter of Base	13mm

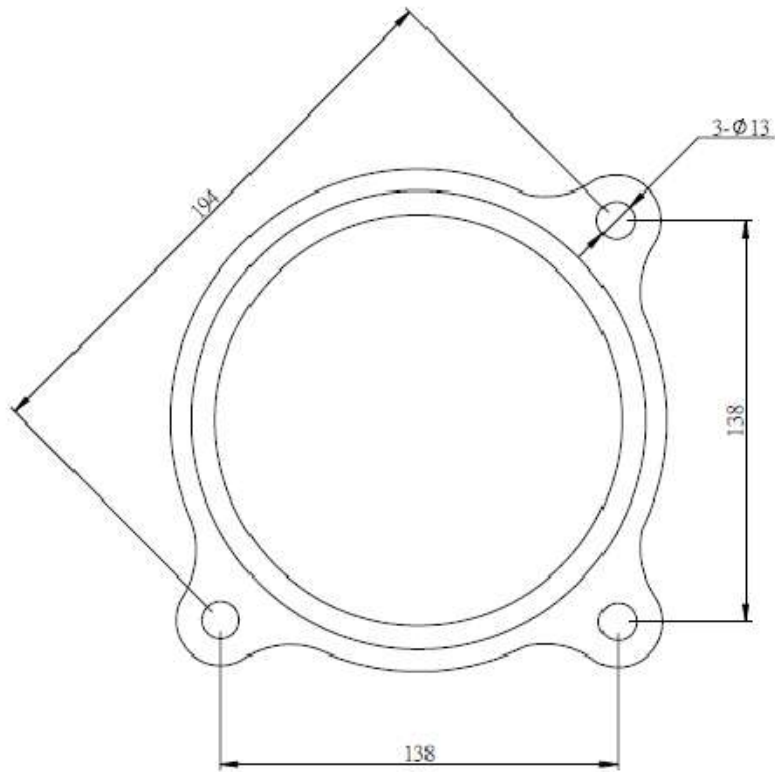
## Similar Products

	2325719	2325720	2325721
Brand	RS PRO	RS PRO	RS PRO

Vice Type	Bench Vice	Bench Vice	Bench Vice
Colour	Black	Black	Black
Material	Ductile iron	Ductile iron	Ductile iron
Base Type	Fixed	360° swivel base	Fixed
Max Jaw Opening	100mm	100mm	150mm
Jaw Width	50mm	50mm	150mm
Jaw Height Capacity	20mm	20mm	20mm
Overall Height from Base	116mm	133mm	149mm
Overall Length with Jaws Fully Closed	275mm	275mm	378mm
Maximum Clamping Force	2000N	2000N	3000N
Mounting	Bolts	Bolts	Bolts
Weight	5.28 kgs	5.88 kgs	10.96kgs
Handle length	164mm	164mm	195mm
Diameter of Base	11mm	11mm	13mm

## DIMENSIONS:





**BASE**