



JUST Storage

Standard Duty
Configurable
Shelving

JUST Configurable Standard Duty Shelving Kit

Pre Galvatite components provide additional corrosion resistance and have a hard-wearing industrial finish.

Simple, tap together, fully adjustable shelving for quick and economic storage solutions. Take a standard bay profile and tailor it to your needs by adding additional shelf levels. Just Shelving maximises the storage of archive boxes, bankers boxes, box files, arch file, magazine holders and much more.

It is essential that shelving exceeding a height to depth ratio of 4:1 to the top loaded shelf is adequately secured to the floor or wall. These bays have a simple, tap together assembly.

RS Stock numbers 521-403, 521-419, 521-415 & 521-409 must all be purchased to make either

A. Two Small Shelves (900mm h x 1800mm w x 450mm d) or

B. One Tall Shelf (1800mm h x 900mm w x 450mm d)



Parts included with each stock number:

Item C

Just Twin Kit 1 - Stock no 521-403

SX18C1A0912X0454 Chipboard (x3)

Just Twin Kit 2 - Stock no 521-419

SXUS036RD Uprights (x8) 4

SXPEC End Cap (x8) 4

SXHFPZC Feet (x8) 4

SXCB0900GU Beams (x4)

SXCB0450GU Beams (x4)

SXUJGU Joiners (x4) 4

Z12 Nuts & Bolts (x4)

B14SQ96ZG Bolts (x32)

N14ZG Nuts (x32)

W14ZG Washers (x32)

Just Twin Kit 3 - Stock no 521-415

SXJB0900GU Beams (x6)

SXJB0450GU Beams (x6)

Just Twin Kit 4 - Stock no 521-409

SX18C1A0912X0454 Chipboard (x2)

Article numbers 521-419 and 521-409 can make just one bench.

Please note there will be components left over.

Left over parts

SXUJGU Joiners (x4) 4

SXHFPZC Feet (x8) 4

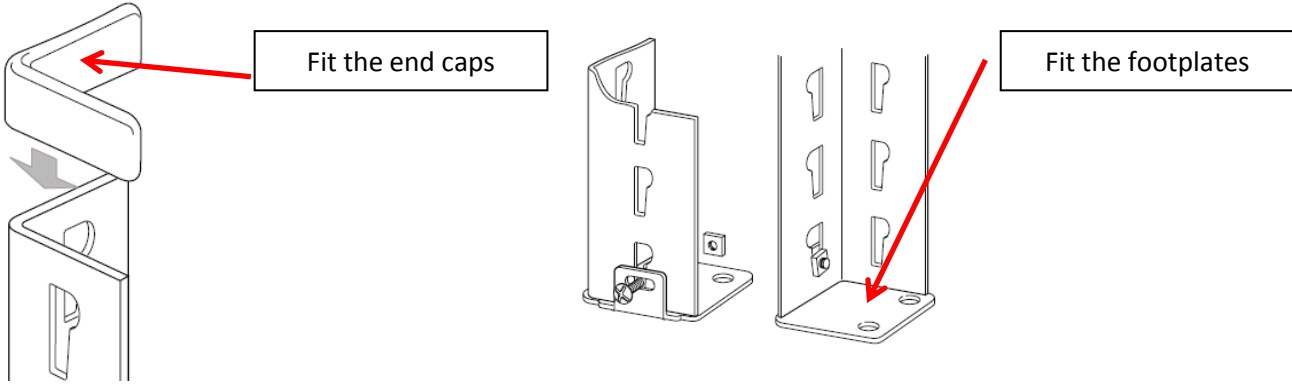
SXPEC End Cap (x8) 4

SXUS036RD Uprights (x8) 4

Assembly Information

Make the Side Frames first

Put the uprights the right way up – the punch pattern should look like two letter “P”'s facing each other.



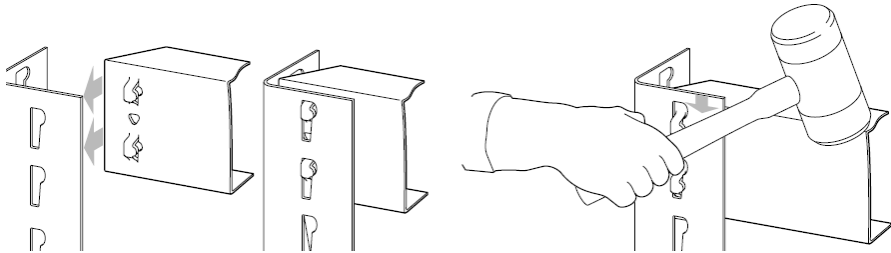
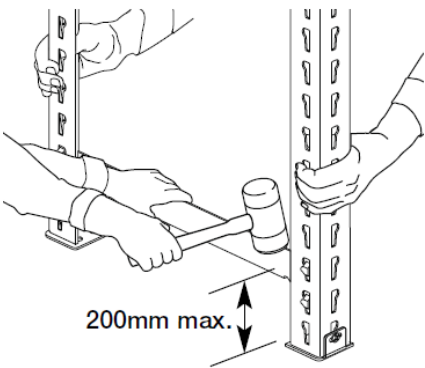
Locating the beams

You may have some wide light grey beams and some narrow light grey beams. **The wide beams always go at the top and bottom.**

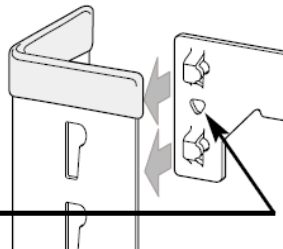
Locate base short beam, for the lowest shelf position, *within 200mm of the floor* (if exceeded, floor fixing is required).

Locate remaining short beams at the intermediate shelf positions required, *with maximum vertical spacing (pitch) of 750mm between beams.*

To locate beams: Clip lugs at the ends of the beam into the 'P' slots in the upright. Press down, then tap into place ensuring lugs are fully located to the base of the slots.

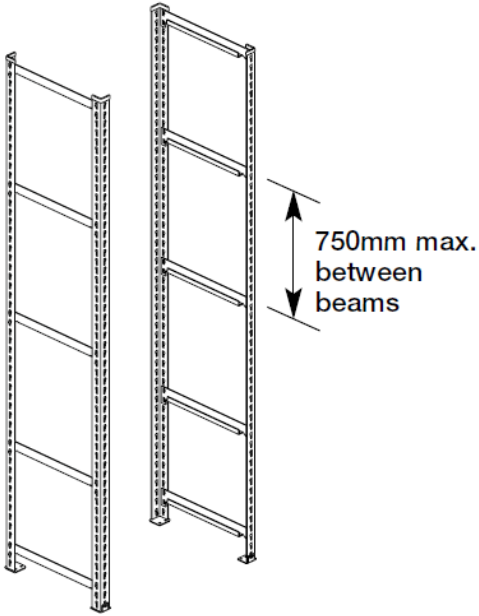


Note: Downward pointing triangular slot indicates direction for correct location

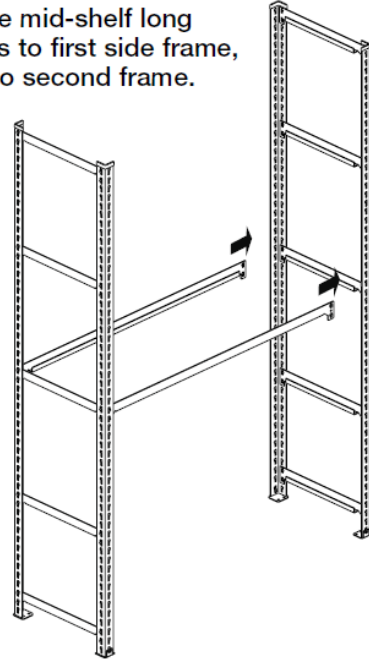


Assembly Information

Assemble second side frame, with matching short beam positions.



Locate mid-shelf long beams to first side frame, then to second frame.



- 11** Fit the chipboard shelves to complete the bay.
CAUTION: Take care to avoid trapping fingers when locating shelves.

