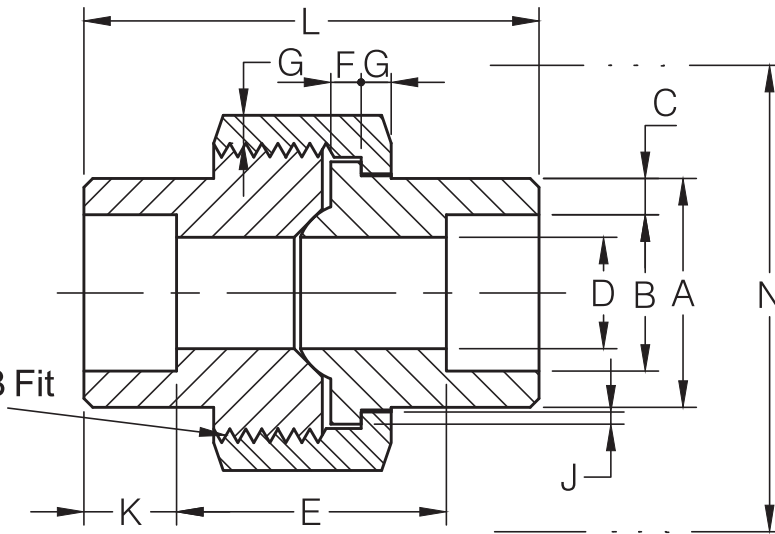




SOCKET WELD END UNION

MSS SP-83-2014

H-Thrd's
Minimum 4 Full Thrd's
Engagement Class 2A/ 2B Fit
ANSI B1.1



6000Lb

Dimensions are in millimeters.

| Nom. Pipe Size | Pipe End (Min) A | Socket Bore Dia. B ⁽¹⁾ | Socket Wall (Min) C | Water Way Bore D ⁽¹⁾ | Laying Length E ⁽¹⁾ | Male Flange (Min) F | Nut (Min) G | Thrds. Per 25.4mm H | Beaming (Min) J | Depth of Socket (Min) K | Length Assem. Nom. L | Clear Assem. Nut N |
|----------------|------------------|-----------------------------------|---------------------|---------------------------------|--------------------------------|---------------------|-------------|---------------------|-----------------|-------------------------|----------------------|--------------------|
| 1/8 | 21.8 | 11.18 10.67 | 3.43 | 4.80 3.20 | 22.4 19.1 | 3.18 | 3.18 | 16 | 1.24 | 9.7 | 41.4 | 50.8 |
| 1/4 | 25.9 | 14.61 14.10 | 4.01 | 7.11 5.59 | 26.9 20.6 | 3.43 | 3.43 | 14 | 1.37 | 9.7 | 46.0 | 55.9 |
| 3/8 | 31.2 | 18.03 17.53 | 4.37 | 9.88 8.36 | 26.9 20.6 | 3.68 | 3.68 | 14 | 1.50 | 9.7 | 49.0 | 58.4 |
| 1/2 | 37.1 | 22.23 21.72 | 5.18 | 12.55 11.02 | 31.8 25.4 | 4.06 | 4.06 | 11 | 1.68 | 9.7 | 56.9 | 66.0 |
| 3/4 | 45.5 | 27.56 27.05 | 6.05 | 16.31 14.78 | 34.3 26.2 | 4.57 | 4.45 | 11 | 1.85 | 12.7 | 62.0 | 78.7 |
| 1 | 54.9 | 34.29 33.78 | 6.93 | 21.46 19.94 | 40.6 32.5 | 5.33 | 5.21 | 10 | 2.13 | 12.7 | 71.1 | 94.0 |
| 1-1/4 | 61.5 | 43.05 42.55 | 6.93 | 30.23 28.70 | 42.2 34.0 | 5.84 | 5.59 | 10 | 2.31 | 12.7 | 76.5 | 111.8 |
| 1-1/2 | 75.2 | 49.15 48.64 | 7.80 | 34.75 33.22 | 45.5 37.3 | 6.60 | 6.35 | 10 | 2.69 | 12.7 | 86.1 | 132.1 |
| 2 | 91.7 | 61.62 61.11 | 9.50 | 43.61 42.09 | 61.7 52.1 | 7.49 | 7.11 | 8 | 3.07 | 15.7 | 102.4 | 149.9 |
| 2-1/2 | 109.2 | 74.45 73.81 | 10.39 | 54.74 53.21 | 63.8 53.6 | 8.26 | 8.00 | 8 | 3.53 | 15.7 | 109.0 | 175.3 |

(1) Upper and lower values for each size are the respective maximum and minimum dimensions.