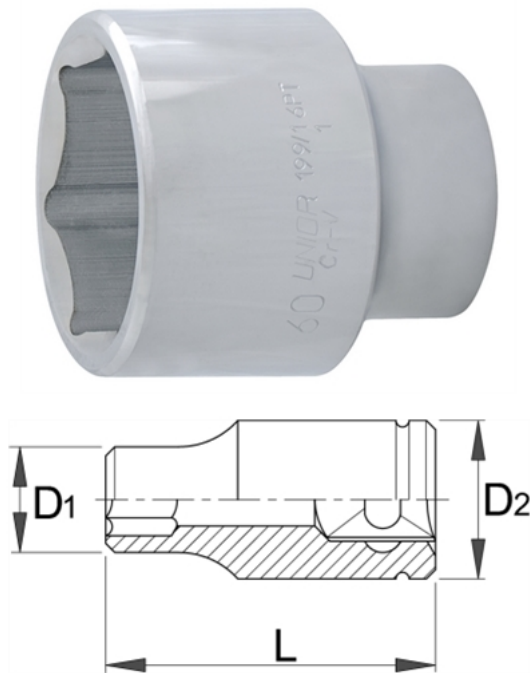


Socket 1" - 199/1 6p



Description

- material: chrome vanadium
- drop forged, entirely hardened and tempered
- surface finish: chrome plated according to ISO 1456:2009
- polished
- made according to standard ISO 2725-1 (only metric dimension)

Technical Data

Barcode	UNIOR	D1	D2	L	T	Weight	Box	Case	Case
603096	46	65	50	75	34	849	1X	1	-
603097	50	70	55	75	34	1039	1X	1	-
603098	55	76	57	80	40	1222	1X	1	-
603099	60	82	57	84	42	1383	1X	1	-
603100	65	88	57	87	44	1607	1X	1	-
603101	70	94	68	93	48	2039	1X	1	-
603102	75	100	68	97	52	2243	1X	1	-
603103	80	105	68	103	54	2479	1X	1	-

Packaging data

Barcode	UNIOR	Retail tool packaging					Transport package			
		A	B	C	Weight	Volume	A1	B1	C1	Weight
603096	46	65	65	75	854	1	-	-	-	-
603097	50	70,3	70,3	75	1044	1	-	-	-	-
603098	55	76,3	76,3	80,1	1227	1	-	-	-	-
603099	60	82,2	82,2	84	1388	1	-	-	-	-
603100	65	88,2	88,2	87	1612	1	-	-	-	-
603101	70	94	94	93	2044	1	-	-	-	-
603102	75	100,7	100,7	97	2248	1	-	-	-	-
603103	80	105,5	105,5	103	2484	1	-	-	-	-