

Wallplates  
 Weatherproof Covers for Duplex, GFCI,  
 Surge Receptacles and Style Line® Devices

# HUBBELL

## Ordering Information

Description	Catalog Number	UPC
Duplex opening, FS/FD mounting, vertical	HBL5221	783585809151

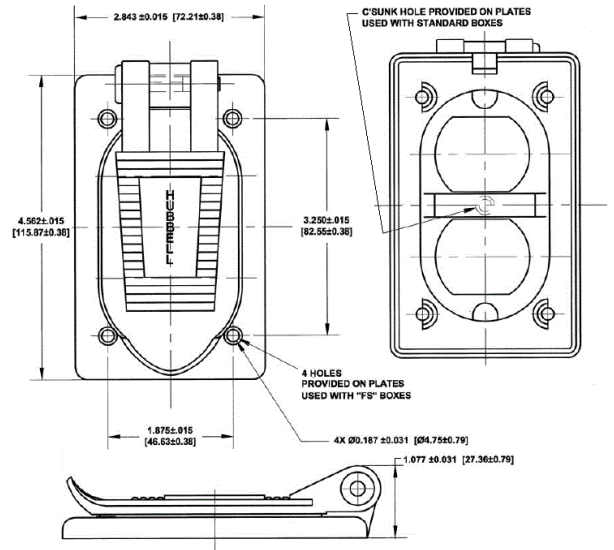


## Listings

UL Listed  
 CSA Certified

## Specifications

Material	Thermoplastic
Spring	Stainless Steel
Gasket	Neoprene



## Online Resources

Customer Use Drawing  
 eCatalog  
 Installation Instructions

Dimensions in Inches (mm)

Hubbell Wiring Device-Kellems • Hubbell Incorporated (Delaware) • 40 Waterview Drive • Shelton, CT 06484

Phone (800) 288-6000 • Fax (800) 255-1031 • Specifications subject to change without notice.

