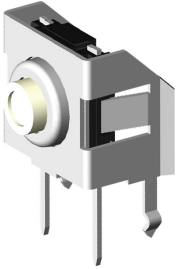


RoHS
Compliant



Application

- Automotive
- Industrial
- Instrumentation

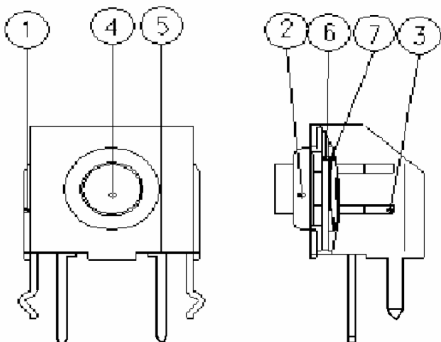
Features

- Support automatic insertion
- Vertical actuation
- Dust proof structure
- Halogen Free

Specifications

Contact Rating	: 50mA, 12V DC
Contact Resistance	: 100mΩ Max.
Insulation Resistance	: 100MΩ Min. 100V DC
Operating Force	: 130±50gf / 160±50gf 300±50gf / 500±100gf
Travel	: 0.5mm
Dielectric Strength	: 250V AC/1 minute
Operating Life	: 200000 cycles for 500gf 500000 cycles for 300gf 1000000 cycles for 160/130gf
Operating & Storage Temperature	: -40°C to +85°C

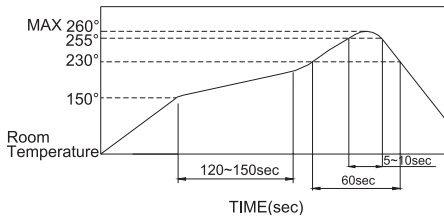
Construction



Item	Part Name	Materials	Treatment	Qty.
1	Bracket	Phosphor Bronze	With Sn plating	1
2	Cover	Carbon Steel Plate	With Ni plating	
3	Base	High-Temp Thermoplastic Nylon UL 94V-0	Black	
4	Stem	High-Temp Thermoplastic LCP/Nylon UL 94V-0	-	
5	Terminal	Brass	G = with Ag Plating A = with Au Plating	
6	Silicone Rubber	Silicone	-	
7	Dome	Stainless Steel	G = with Ag Plating A = with Au Plating	

Soldering Conditions

Condition for Soldering- MP-T6H series



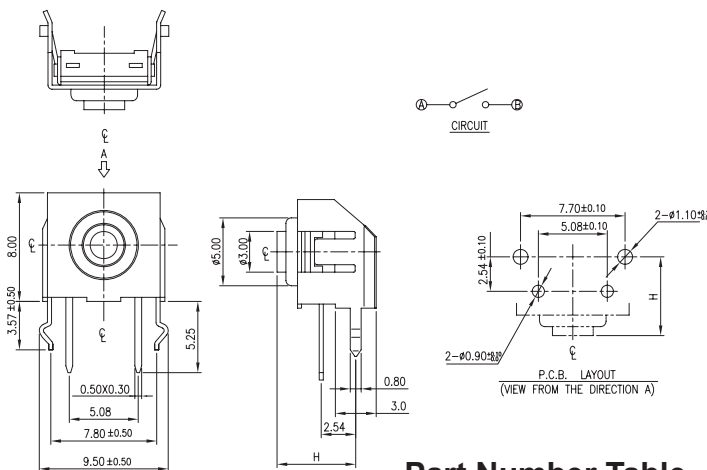
The condition mentioned above is the temperature on the Cu foil of the PCB surface.

There are cases where board's temperature greatly differs from switch's surface temperature depending on board's material, size, thickness, etc. Care, therefore, should be used not to allow switch's surface temperature to exceed 260°C.

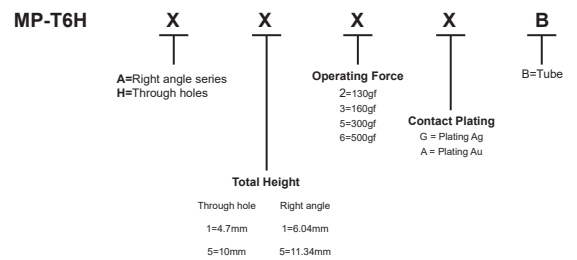
Manual Soldering

Soldering Temperature	Max. 350°C
Continuous Soldering Time	Max. 5 seconds

Diagram



Part Number Explanation



Part Number Table

Description	Part Number
Tactile Switch, Right Angle, Au Plating, 300gf, 50mA, 12V DC	MP-T6HA-15AQB
Tactile Switch, Through Holes, Ag Plating, 130gf, 50mA, 12V DC	MP-T6HH-12GQB
Tactile Switch, Through Holes, Ag Plating, 500gf, 50mA, 12V DC	MP-T6HH-16GQB
Tactile Switch, Through Holes, Au Plating, 130gf, 50mA, 12V DC	MP-T6HH-52AQB
Tactile Switch, Through Holes, Ag Plating, 300gf, 50mA, 12V DC	MP-T6HH-55GQB

Dimensions : Millimetres

Important Notice : This data sheet and its contents (the "Information") belong to the members of the AVNET group of companies (the "Group") or are licensed to it. No licence is granted for the use of it other than for information purposes in connection with the products to which it relates. No licence of any intellectual property rights is granted. The Information is subject to change without notice and replaces all data sheets previously supplied. The Information supplied is believed to be accurate but the Group assumes no responsibility for its accuracy or completeness, any error in or omission from it or for any use made of it. Users of this data sheet should check for themselves the Information and the suitability of the products for their purpose and not make any assumptions based on information included or omitted. Liability for loss or damage resulting from any reliance on the Information or use of it (including liability resulting from negligence or where the Group was aware of the possibility of such loss or damage arising) is excluded. This will not operate to limit or restrict the Group's liability for death or personal injury resulting from its negligence. Multicomp Pro is the registered trademark of Premier Farnell Limited 2019.