



RS PRO DATA SHEET - Round Rocker Switch, 20mm, SPST, White, 01 Marking

RS Stock Code: 1858228

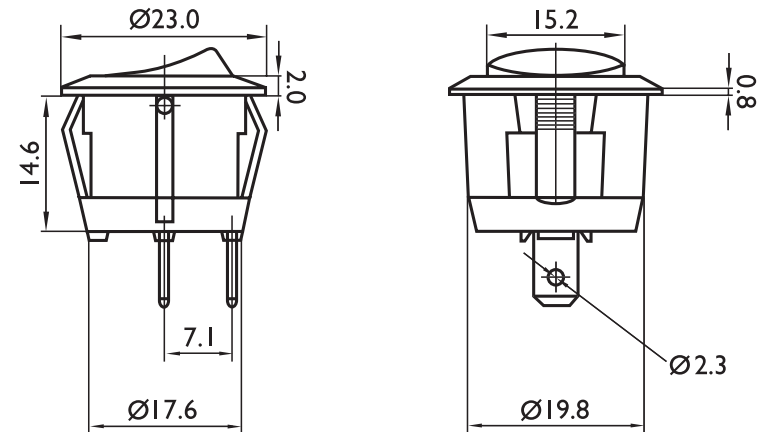
Specifications

1858228

Rating	6(2)A 250VAC T125/55 1E4 10A 125VAC		
Colour	White body and Switch/01 engraving		
Switch action	SP On-off latching		
Maximum contact resistance	30MΩ		
Minimum insulation resistance	500VDC 100MΩ		
Electrical life	10,000 cycles		
Operation force	300-600gf		
Operating temperature	-25°C~125°C		
Cut out	Z	Y	X
(diagram opposite)	0.75-1.25	20.8	20.2
	1.25-2.0	20.8	20.4
	2.0-3.0	20.8	20.6

Approval VDE, ENEC, UL, C-UL

Double pole versions available



Features

- ROHS compliant
- Housing material: Nylon #66 UL 94V-2
- Rocker material: Nylon #66 UL 94V-2
- Terminal material: Copper alloy SN or AG plated
- Contact material: AgNi (15) alloy plated

