

BNC Right Angle PCB Mount Jack Receptacle (Metal Housing)

multicomp PRO

**RoHS
Compliant**

Specifications

Electrical

Frequency Range	: DC - 1GHz
Nominal Impedance	: 50Ω
Testing Voltage	: 500VRMS
Dielectric Withstanding Voltage	: 1500VRMS
Insulation Resistance	: 5000MΩ Min.

Material

Body	: Zinc Alloy, Nickel Plated
Center Contact	: Phosphor Bronze, Gold Plated @ Contact Area & Tin Plated @ Tail
Solder Pin	: Copper, Tin Plated
Insulation	: Polypropylene (UL 94HB)
Mounting Post	: Brass, Tin Plated
Lock Washer	: S50C, Nickel Plated
Nut	: Brass, Nickel Plated

Mechanical

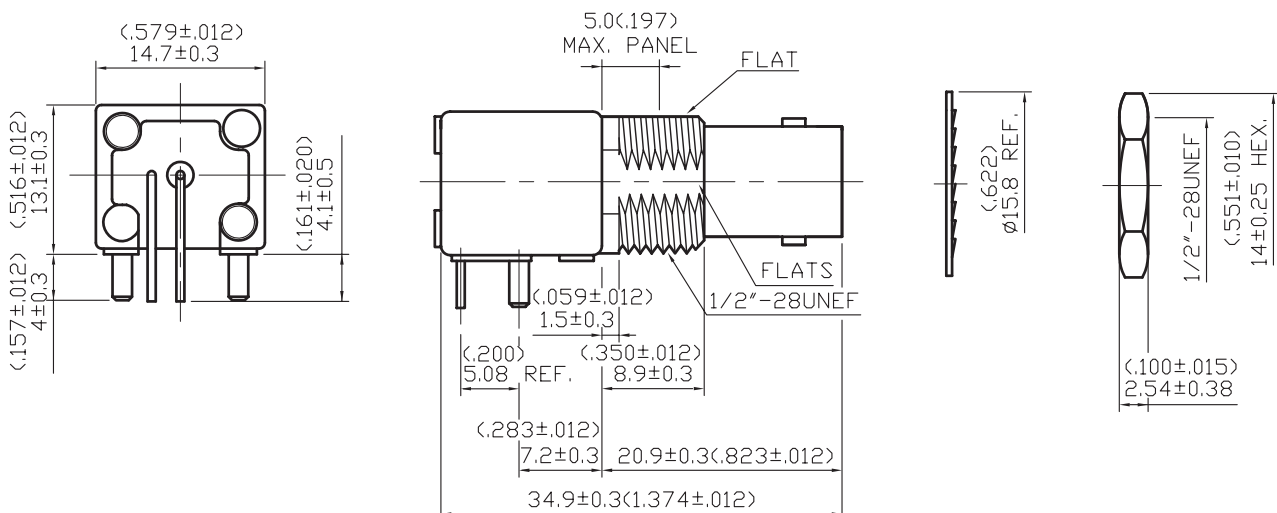
Mating / Unmating	: 500 Cycles
-------------------	--------------

Environmental

Temperature Range	: -40°C to +60°C
Thermal Shock	: MIL-STD-202, Method 107
Physical Shock	: MIL-STD-202, Method 204



Diagram

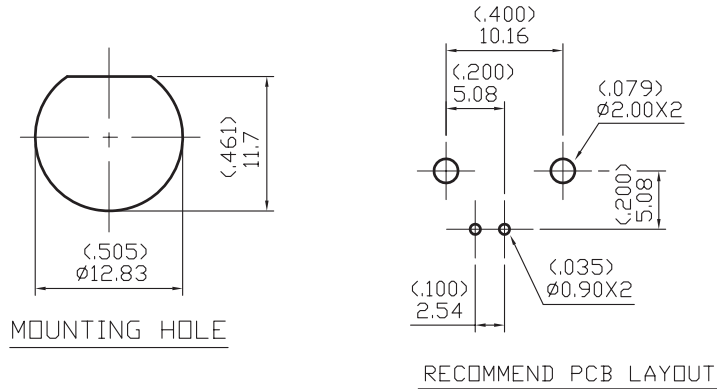


Dimensions : Millimetres (Inches)

Newark.com/multicomp-pro
Farnell.com/multicomp-pro
Element14.com/multicomp-pro

multicomp PRO

BNC Right Angle PCB Mount Jack Receptacle (Metal Housing)



Dimensions : Millimetres (Inches)

Part Number Table

Description	Part Number
BNC Right Angle PCB Mount Jack Receptacle, Metal Housing, 50Ω	MP-13-60-6 DGZ

Important Notice : This data sheet and its contents (the "Information") belong to the members of the AVNET group of companies (the "Group") or are licensed to it. No licence is granted for the use of it other than for information purposes in connection with the products to which it relates. No licence of any intellectual property rights is granted. The Information is subject to change without notice and replaces all data sheets previously supplied. The Information supplied is believed to be accurate but the Group assumes no responsibility for its accuracy or completeness, any error in or omission from it or for any use made of it. Users of this data sheet should check for themselves the Information and the suitability of the products for their purpose and not make any assumptions based on information included or omitted. Liability for loss or damage resulting from any reliance on the Information or use of it (including liability resulting from negligence or where the Group was aware of the possibility of such loss or damage arising) is excluded. This will not operate to limit or restrict the Group's liability for death or personal injury resulting from its negligence. Multicomp Pro is the registered trademark of Premier Farnell Limited 2019.

Newark.com/multicomp-pro
 Farnell.com/multicomp-pro
 Element14.com/multicomp-pro

