

# Datasheet

## Rack Case, 3U

RS Stock number 132-4408

A superb range of robust cases for direct mounting of 42HP or 84HP subracks and 10½" or 19" chassis to IEC 297-1 and DIN 41494.

**Features**

- Supplied assembled
- Superb modern styling
- Robust metal construction
- Conforms to IEC 297-1 and DIN 41494
- Quick release top and bottom covers
- Horizontal, vertical tower and plinth versions available.
- Front trims conceal 19" fixings
- Very large range of standard ex-stock sizes
- Easy customisation
- Painted in modern colour combination of light and mid grey to BS4800-00A01 and BS4800-00A05

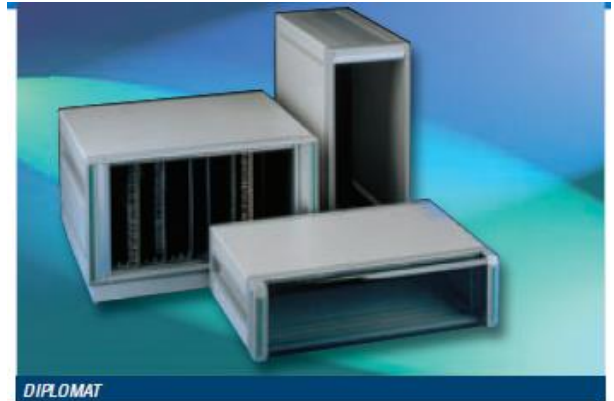
**APPLICATIONS**

The DIPLOMAT 19" and 10½" cases are designed to provide stylish, robust, yet economical solutions for housing electronic systems.

The standard cases are ideal for 10½" or 19" (42HP or 84HP) equipment used in either office or industrial applications. Vertical tower versions are designed as floor standing units suitable for convenient positioning either under or next to a desk.

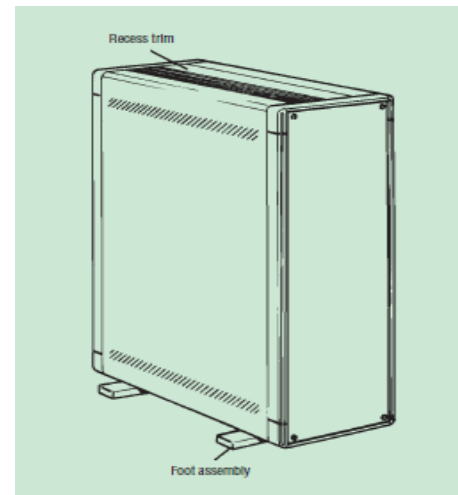
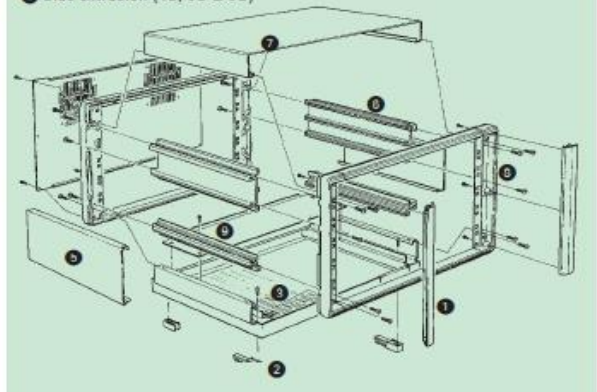
**Items to be ordered as accessories**

Description	Page
Transparent doors	10
Heavy duty carry handles	10
Feature front panels	11
19" and 10½" front panels	11
Front bezel trims	11
Rear panels	12
Fan accessories	12
Cable tidy	12
Bump down foot	13
Rear bezel trims	13
Earth continuity kit	14
Chassis supports	14
Chassis trays	14



DIPLOMAT

- 1 Front trims (order as accessories)
- 2 Tilt up feet
- 3 Ventilation plinth
- 4 Side infill panel
- 5 Side handle extrusion
- 6 Top cover
- 7 Front/rear bezel assemblies
- 8 Side extrusion (4U, 6U & 9U)



**HORIZONTAL CASES WITH OR WITHOUT PLINTH**

The standard horizontal DIPLOMAT cases are available in four heights, two widths and four depths, and are supplied ready assembled.

**Contents of kit**

Description	Qty	Material/Finish
Top cover	1	0.9mm Zintec coated steel
Bottom cover (or plinth)	1	0.9mm Zintec coated steel
Handle extrusion	2	Aluminium alloy extrusion
Side extrusions (4U only)	4	Aluminium alloy extrusion
Bezels	2	Aluminium alloy castings
Feet (2 tilting)	4	ABS plastic
Finish		Textured electrostatic epoxy paint
Colour: Top/bottom covers, plinths		Light grey BS4800-00A01
Front and rear bezels,		Mid grey BS4800-00A05
side handles and 4U side extrusions		

**Order separately**

Description	Page
Transparent doors and heavy duty carry handle	10
Front panels and front bezel trims	11
Rear panels, cable tidy and fan accessories	12
Rear bump down feet and rear bezel trims	13
Earth continuity kits, chassis supports and chassis trays	14

**STANDARD 19" CASES – Supplied assembled**

**Ordering information**

Height (mm)	Width	Ext depth	Max int depth	Dimensions		
				A	B	C
3U (161,85)	19"	322	277	450	134,85	17
		422	377	450	134,85	17
		522	477	450	134,85	17
4U (206,30)	19"	322	277	450	179,30	17
		422	377	450	179,30	17
		522	477	450	179,30	17

**19" VENTILATION PLINTH DIPLOMATS – Supplied assembled**

(with air filtration built in as standard)

**Ordering information**

Height (mm)	Width	Ext depth	Max int depth	Dimensions				
				A	B	C	D	E
3U (161,85)	19"	322	277	450	134,85	39,5	506,4	287
		422	377	450	134,85	39,5	506,4	387
		522	477	450	134,85	39,5	506,4	487
4U (206,30)	19"	322	277	450	179,30	39,5	506,4	287
		422	377	450	179,30	39,5	506,4	387
		522	477	450	179,30	39,5	506,4	487

**10½" HALF WIDTH CASES**

**Ordering information**

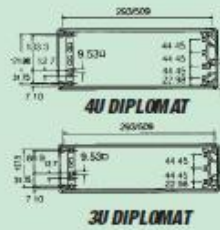
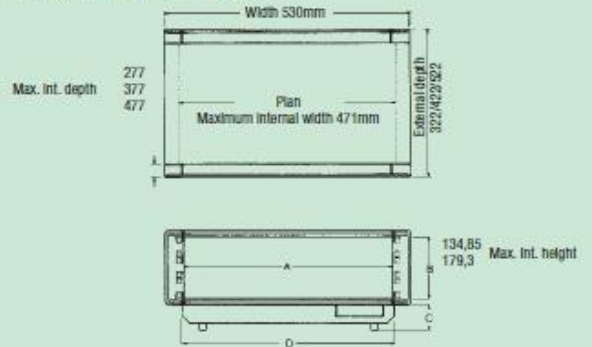
Height (mm)	Width	Ext depth	Max int depth	Dimensions		
				A	B	C
3U (161,85)	10.5"	322	277	234	134,85	17
		422	377	234	134,85	17
4U (206,30)	10.5"	322	277	234	179,30	17
		422	377	234	179,30	17



DIPLOMAT 19" Cases 3U and 4U horizontal versions

**3U and 4U Horizontal Versions**

**Ventilation plinth and gland plates**

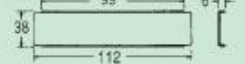


3U DIPLOMAT

4U Side Extrusion

**Gland Plates**

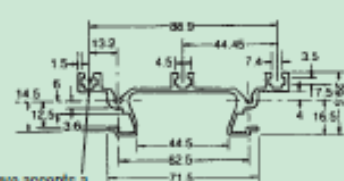
Plinth version only



**Ventilation Plinth**

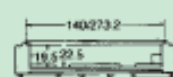


**Handle Extrusion**



Note: Groove accepts a STD M4 size nut.

**Bezel Section**



The vertical DIPLOMAT cases offer a stylish packaging solution for office based computer systems located either on or under the operators desk. For desk cases rubber inserts are provided to prevent the unit slipping on the desk surface.

**Contents of kit**

Description	Qty	Material/Finish
Handle	1	Aluminium alloy extrusion
Vertical feet assemblies	2	ABS plastic/aluminium extrusion
Ventilated side covers	2	0.9mm Zintec coated steel
Handle extrusions	2	Aluminium alloy extrusion
Side extrusions (4U)	4	Aluminium alloy extrusion
Handle infill	1	0.9mm Zintec coated steel
Bezels	2	Aluminium alloy castings
Finish		Textured electrostatic epoxy paint
Colour: Side covers		Light grey BS4800-00A01
Front and rear bezels, side handles and extrusions, infills and feet		Mid grey BS4800-00A05

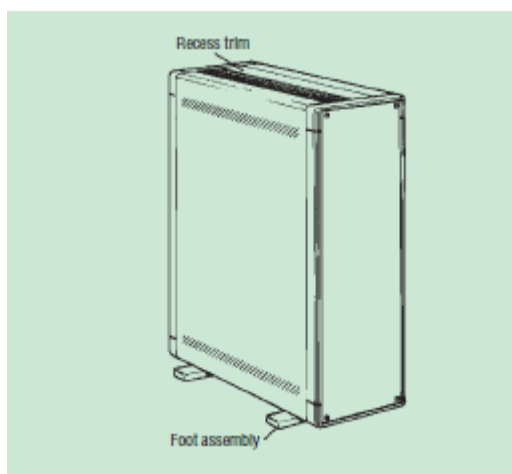
**Order separately**

Description	Page
Transparent doors and heavy duty carry handle	10
Front panels and front bezel trims	11
Rear panels, cable tidy and fan accessories	12
Rear bump down feet and rear bezel trims	13
Earth continuity kits, chassis supports and chassis trays	14

**VERTICAL 19" CASES – Supplied assembled**

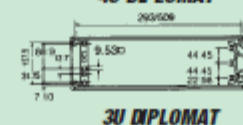
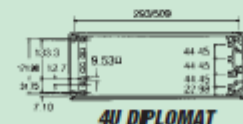
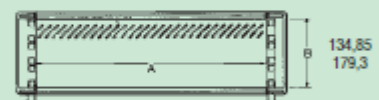
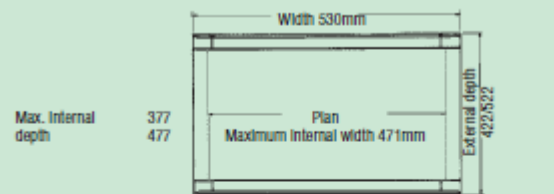
**Ordering information**

Height (mm)	Width depth	Dimensions			
		Ext depth	Max int	A	B
3U (161,85)	19"	422	377	450	134,85
		522	477	450	134,85
4U (206,30)	19"	422	377	450	179,30
		522	477	450	179,30

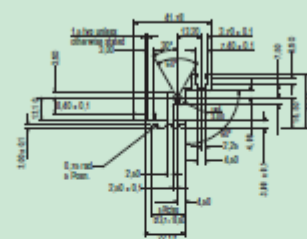


DIPLOMAT 19" Cases 3U and 4U vertical versions

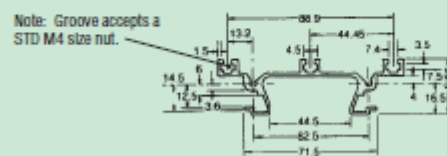
**3U and 4U Vertical Cases**



**4U Side Extrusion**



**Handle Extrusion**



**Bezel Section**

