

FEATURES

- Rated currents from 30A
- 3 phase filter with standard attenuation
- Voltage rating 300 and 520VAC for world wide acceptance
- Protection against interference of voltage.

RS PRO Power Line Filters

RS Stock No.: 2378745, 2378746



RS Professionally Approved Products bring to you professional quality parts across all product categories. Our product range has been tested by engineers and provides a comparable quality to the leading brands without paying a premium price.

Power Line Filters

Product Description

- For photovoltaic systems and industrial applications
- Three-phase motor drives
- UPS/SMPS
- Industrial automation equipment

General Specifications

Protection against interference of voltage. YX81 filters provide a broadband common and differential-mode attenuation performance, it still can be available when the interference is larger. Customized products according to customer's requirements

Mechanical Specifications

size	120X100X50mm (L X W X H)
weight	1.25 kgs

Electrical Specifications

Rated Voltage Max.	520VAC,50/60Hz
Operating frequency	50/60Hz
Rated currents	30A@50°C
Hipot Rating	L-N: 1600VDC,L/N-G: 4000VDC

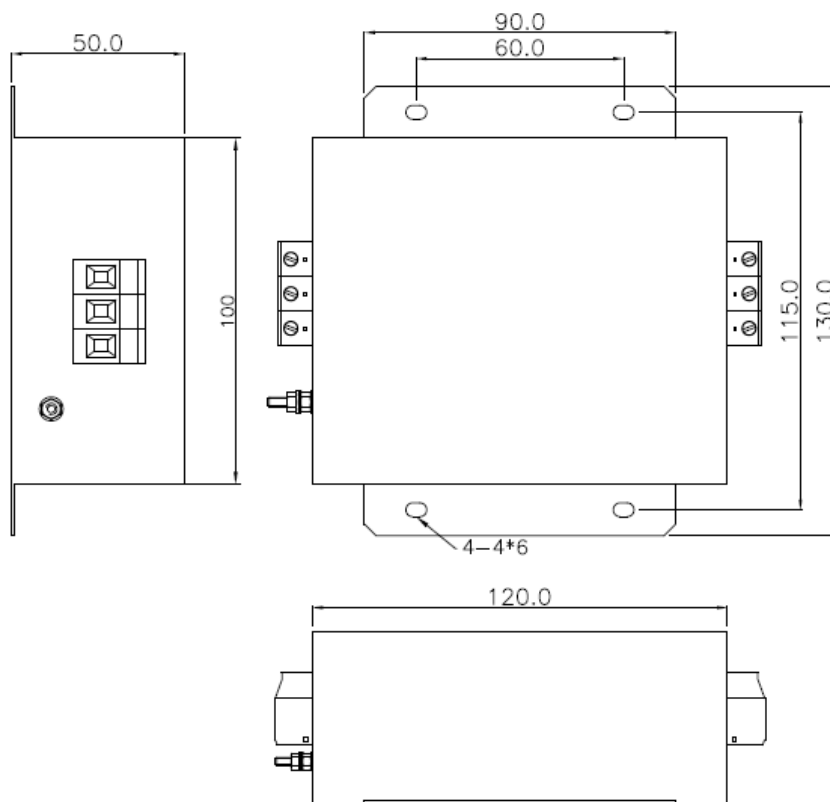
Protection Category

according to IEC 60529 IP40

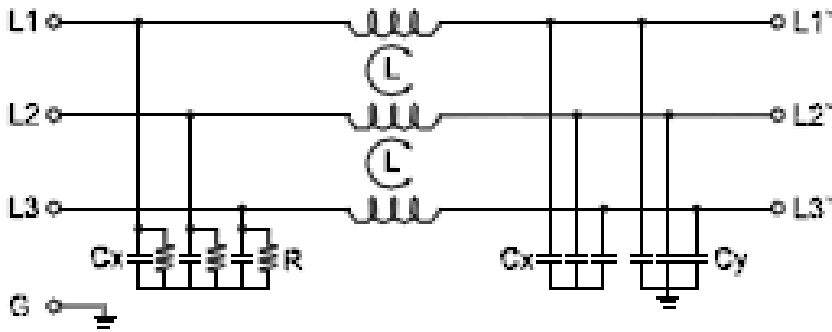
Approvals

Declarations	CUL;TUV;CE
Standards Met	UL1283, CSA C22.2 No.8; IEC/EN 60939,;

Physical Dimensions:



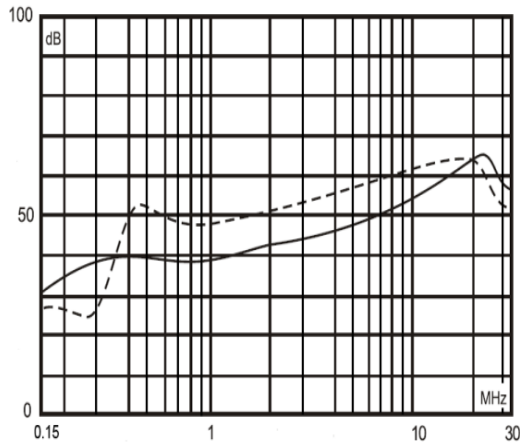
Electrical Schematic:



Insertion loss table(In 50ohm system according IEC/CISPR No.17)

———— Common mode - - - - - Differential mode

30A



packaging

