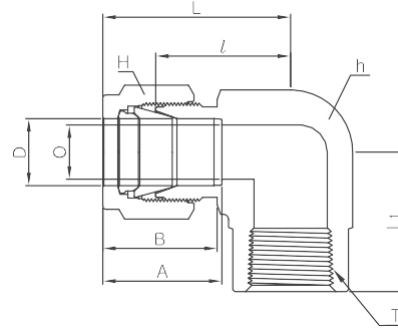
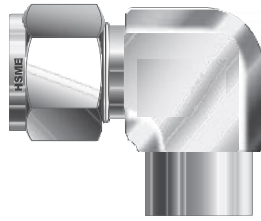


**Female NPT Elbow**
**ALF-N**

**Connects fractional tube to male NPT thread**

Part No.	Tube O.D. D		T NPT	O Min.	Width across flat				A	B	I	L	L1
	in	mm			h		H						
					in	mm	in	mm					
ALF2-2N	1/8	3.17	1/8	2.28	1/2	12.70	7/16	11.11	12.70	15.24	18.03	24.63	19.05
ALF2-4N	1/8	3.17	1.4	2.28	11/16	17.46	7/16	11.11	12.70	15.24	20.82	27.43	22.35
ALF3-2N	3/16	4.76	1/8	3.04	1/2	12.70	1/2	12.70	13.71	16.00	18.79	25.40	19.05
ALF4-2N	1/4	6.35	1/8	4.82	1/2	12.70	9/16	14.28	15.24	17.78	19.55	26.92	19.05
ALF4-4N	1/4	6.35	1/4	4.82	11/16	17.46	9/16	14.28	15.24	17.78	22.35	29.71	22.35
ALF4-6N	1/4	6.35	3/8	4.82	13/16	20.64	9/16	14.28	15.24	17.78	24.38	31.75	22.35
ALF4-8N	1/4	6.35	1/2	4.82	1	25.40	9/16	14.28	15.24	17.78	27.17	34.54	28.44
ALF5-2N	5/16	7.93	1/8	6.35	9/16	14.28	5/8	15.87	16.25	18.54	21.33	28.70	19.05
ALF5-4N	5/16	7.93	1/4	6.35	11/16	17.46	5/8	15.87	16.25	18.54	23.11	30.48	22.35
ALF6-2N	3/8	9.52	1/8	7.11	5/8	15.87	11/16	17.46	16.76	19.30	23.11	30.48	19.05
ALF6-4N	3/8	9.52	1/4	7.11	11/16	17.46	11/16	17.46	16.76	19.30	23.87	31.24	22.35
ALF6-6N	3/8	9.52	3/8	7.11	13/16	20.64	11/16	17.46	16.76	19.30	25.90	33.27	22.35
ALF6-8N	3/8	9.52	1/2	7.11	1	25.40	11/16	17.46	16.76	19.30	28.70	36.06	28.44
ALF8-4N	1/2	12.70	1/4	10.41	13/16	20.64	7/8	22.22	22.86	21.84	25.90	36.06	22.35
ALF8-6N	1/2	12.70	3/8	10.41	13/16	20.64	7/8	22.22	22.86	21.84	25.90	36.06	22.35
ALF8-8N	1/2	12.70	1/2	10.41	1	25.40	7/8	22.22	22.86	21.84	28.70	38.86	28.44
ALF10-6N	5/8	15.87	3/8	12.70	15/16	23.81	1	25.40	24.38	21.84	27.94	38.10	22.35
ALF10-8N	5/8	15.87	1/2	12.70	1	25.40	1	25.40	24.38	21.84	29.71	39.87	28.44
ALF12-8N	3/4	19.05	1/2	15.74	1-1/16	26.98	1-1/8	28.58	24.38	21.84	29.71	39.87	28.44
ALF12-12N	3/4	19.05	3/4	15.74	1-3/8	34.92	1-1/8	28.58	24.38	21.84	34.54	44.70	31.75
ALF14-12N	7/8	22.22	3/4	18.28	1-3/8	34.92	1-1/4	31.75	25.90	21.84	34.54	44.70	31.75
ALF16-12N	1	25.40	3/4	22.35	1-3/8	34.92	1-1/2	38.10	31.24	26.41	36.83	49.02	31.75
ALF16-16N	1	25.40	1	22.35	1-11/16	42.86	1-1/2	38.10	31.24	26.41	41.40	50.29	38.10

**Connects metric tube to male NPT thread**

Part No.	Tube O.D. D	T (NPT)	O Min.	Width across flat		A	B	I	L	L1
				h	H					
ALF6M-2N	6	1/8	4.8	12.70	14	15.3	17.7	19.6	27.0	19.00
ALF6M-4N	6	1/4	4.8	17.46	14	15.3	17.7	22.4	29.8	22.40
ALF6M-6N	6	3/8	4.8	20.64	14	15.3	17.7	24.4	31.7	22.40
ALF6M-8N	6	1/2	4.8	25.40	14	15.3	17.7	27.2	34.6	28.40
ALF8M-2N	8	1/8	6.4	15.87	16	16.2	18.6	23.1	29.9	19.00
ALF8M-4N	8	1/4	6.4	17.46	16	16.2	18.6	23.1	30.6	22.40
ALF8M-8N	8	1/2	6.4	25.40	16	16.2	18.6	28.0	35.2	28.40
ALF10M-2N	10	1/8	7.9	17.46	19	17.2	19.5	23.9	31.5	19.00
ALF10M-4N	10	1/4	7.9	17.46	19	17.2	19.5	25.9	33.5	22.35
ALF10M-6N	10	3/8	7.9	20.64	19	17.2	19.5	25.9	33.5	22.40
ALF10M-8N	10	1/2	7.9	25.40	19	17.2	19.5	28.7	36.1	28.40
ALF12M-4N	12	1/4	9.5	20.64	22	22.8	22.0	25.9	36.0	22.40
ALF12M-6N	12	3/8	9.5	20.64	22	22.8	22.0	25.9	36.2	22.35
ALF12M-8N	12	1/2	9.5	25.40	22	22.8	22.0	28.7	38.8	28.40
ALF16M-8N	16	1/2	12.7	26.98	25	24.4	22.0	29.7	39.5	28.40