



Datasheet

RS PRO 10m XLR Male to Female Cable, Black Connectors

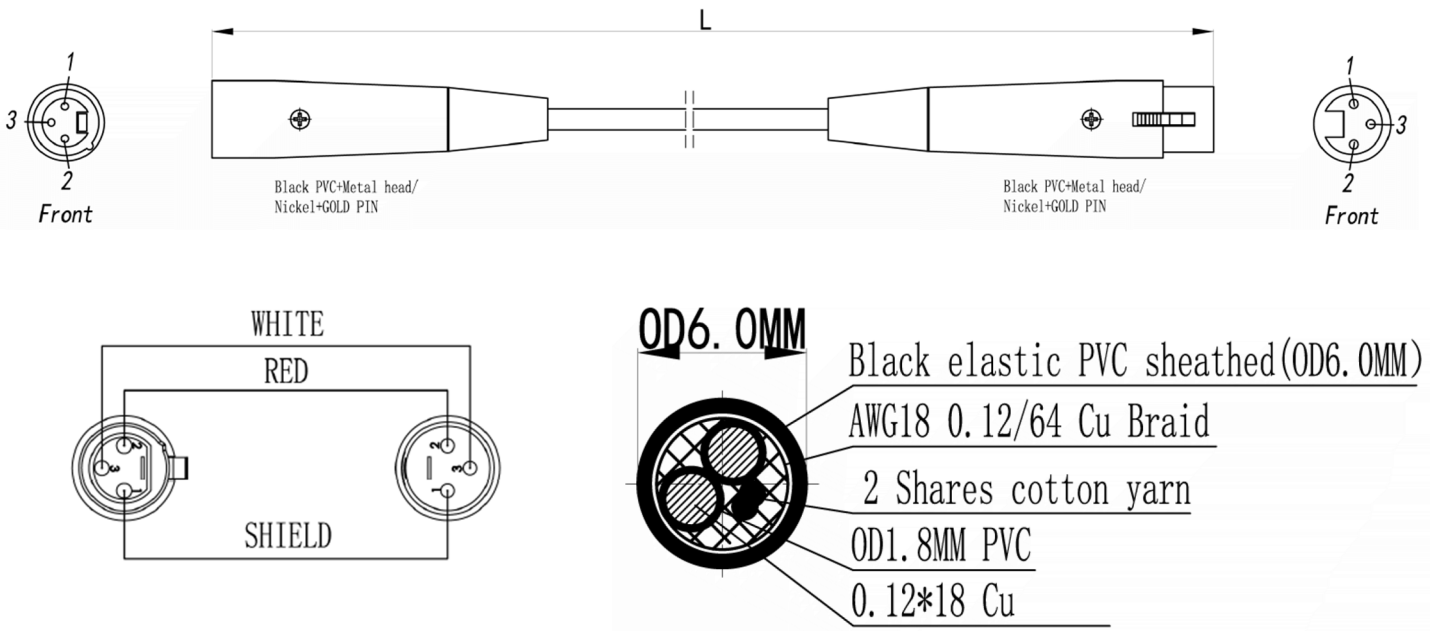
Stock number: 192-4448

EN

The RS PRO 10 metre, XLR extension cable has a jack plug to a socket both with metal boots.

The connectors are nickel and have a strain relief to help avoid the cable splitting around the edge of the boot. The cable flex is made of 18 AWG copper wire and has a copper braid for extra shielding. The cable flex has a black PVC jacket and an outer diameter of 6mm.

XLR cables are generally use for sound, video and lighting equipment.



RoHS / REACH / CE