

Datasheet

ENGLISH

## RS Pro Ceramic Tube Fuse, 40-70A, 10.4 x 38.5 mm

**Stock No: 1884491,1884492,1884493,1884494  
1884632,1884639,1884646,1884652**



### Specifications:

#### Materials

Tube (Body): Non-Transparent ceramic tube. Breaking or deformation is not allowed.

Two copper alloy end caps: Made of copper alloy of good conductivity.

Coating of copper alloy caps: Plating the surface with nickel.

#### Interrupting Ratings

2000 amperes at 500V AC

2000 amperes at 250V AC

1000 amperes at 125V DC

#### Operating Temperature

-55°C to +125°C

**Drawing (mm):**

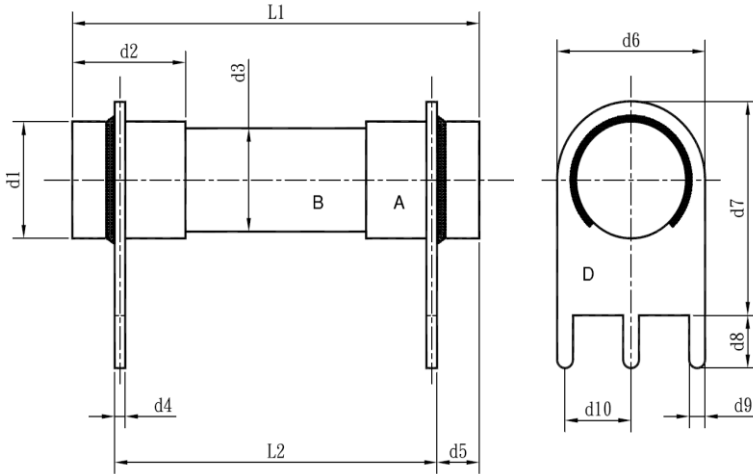
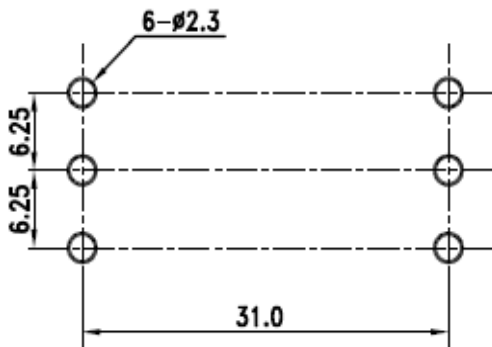


Table I unit: mm

<b>d1</b>	<b>d2</b>	<b>d3</b>	<b>d4</b>	<b>d5</b>	<b>d6</b>
10.4±0.2	10.7±0.1	9.2±0.5	1.0±0.1	4.0(max)	14.0±0.3
<b>d7</b>	<b>d8</b>	<b>d9</b>	<b>d10</b>	<b>L1</b>	<b>L2</b>
19.0±0.5	4.7±0.3	1.5±0.2	6.25±0.2	38.5±1.0	32.0±0.5

Recommend Circuit Board distance



<b>NO.</b>	<b>Part Name</b>		<b>Volume</b>
A	Copper Alloy Caps	Nickel Plating	2
B	Ceramic Tube	Non-Transparent Ceramic Tube	1
C	Fuse Element		1
D	Terminal	Copper (Tin plating)	2

## Electrical Characteristic:

100% Rating			200% Rating	
Rating	Min.	Max.	Min.	Max.
40A~70A	4 Hrs			120 sec

		Nominal Resistance	Nominal Melting $I^2t$
		Cold Ohms	A <sup>2</sup> Sec
40	A	1.33-2.47mΩ	2616
50	A	0.98-1.82mΩ	3975
63	A	0.77-1.43mΩ	6271
70	A	0.7-1.3mΩ	11760

## Reference:

Stock No	Rating amperes
1884491	40A 500V
1884632	40A 500V
1884492	50A 500V
1884639	50A 500V
1884493	63A 500V
1884646	63A 500V
1884494	70A 500V
1884652	70A 500V