

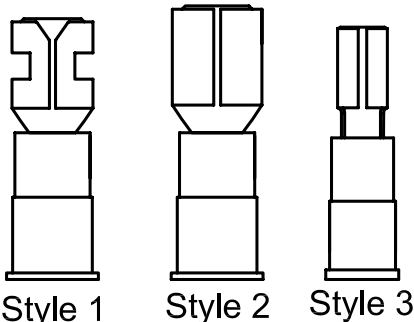
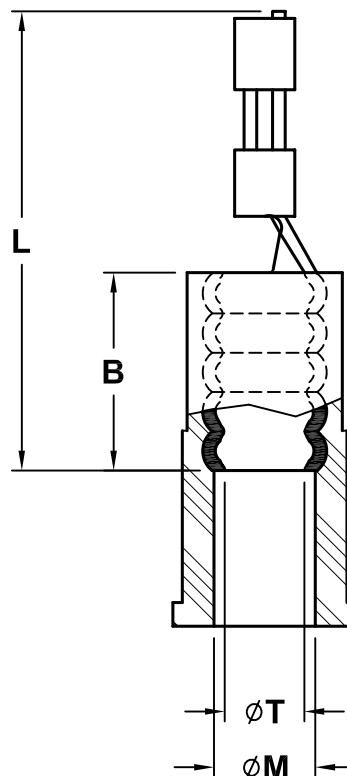
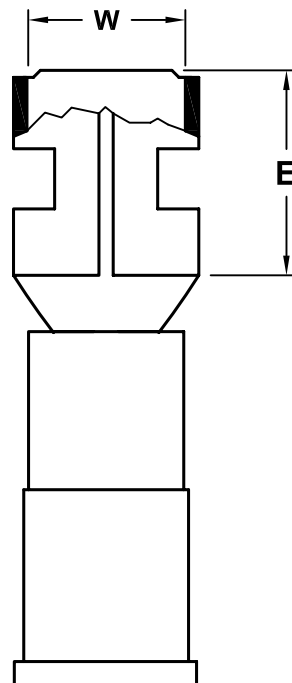
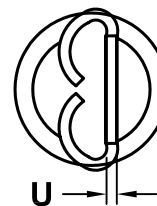
ALL RIGHTS RESERVED. NO PORTION OF THIS PUBLICATION, WHETHER IN WHOLE OR IN PART CAN BE REPRODUCED WITHOUT THE EXPRESS WRITTEN CONSENT OF SPC TECHNOLOGY.

REVISIONS			DOC. NO. SPC-F004 * Effective: 12/21/98 * DCP No: 680						
DCP #	REV	DESCRIPTION	DRAWN	DATE	CHECKD	DATE	APPRVD	DATE	
1199	B	Redrawn and Renamed Was CFS-TV-***	JWM	11/9/01	JC	11/28/01	JC	11/28/03	
1369	C	Bulk items added	JWM	10/22/03	JC	10/22/03	JC	10/22/03	

NOTES:

MATERIAL:

1. ELECTRO-TIN PLATED COPPER WITH VINYL (PVC) SLEEVE.
2. FLAMMABILITY: UL94V-0
3. VOLTAGE RATING: 600 V
4. OPERATING TEMP: -40°F to 221°F (-40°C ~ 105°C)



OSHA Acceptable

SPC Type No.	Wire Range (AWG)	Mates with Male Tab Width (W) x Thickness	L	E	B	T	M	U	Color	Style	Package Qty
CFS-TV-1025*	12 ~ 10	.250 x .032	.96	.32	.25	.165	.250	.020	Yellow	2	50
SPC3874*											500
CFS-TV-1412*	16 ~ 14	.110 x .020	.81	.25	.19	.115	.145	.012	Blue	3	100
SPC3871*											1000
CFS-TV-1418	16 ~ 14	.187 x .020	.78	.25	.25	.085	.145	.016	Blue	1	100
SPC3872											1000
CFS-TV-1425*	16 ~ 14	.250 x .032	.87	.30	.25	.080	.145	.020	Blue	2	100
SPC3873											1000
CFS-TV-1818	22 ~ 18	.187 x .020	.78	.25	.25	.085	.145	.016	Red	1	100
SPC3869											1000
CFS-TV-1825	22 ~ 18	.250 x .032	.87	.30	.25	.080	.145	.020	Red	2	100
SPC3870											1000

SPC-F004.DWG * Not UL or CSA Certified

DISCLAIMER:
ALL STATEMENTS AND TECHNICAL INFORMATION CONTAINED HEREIN ARE BASED UPON INFORMATION AND/OR TESTS WE BELIEVE TO BE ACCURATE AND RELIABLE. SINCE CONDITIONS OF USE ARE BEYOND OUR CONTROL, THE USER SHALL DETERMINE THE SUITABILITY OF THE PRODUCT FOR THE INTENDED USE AND ASSUME ALL RISK AND LIABILITY WHATSOEVER IN CONNECTION THEREWITH.



SPC TECHNOLOGY

Tolerances: Unless Otherwise Specified:
.X = ±.015
.XX = ±.010
.XXX = ±.005

DRAWN BY:	DATE:
JC	3/8/91
CHECKED BY:	DATE:
JOHN COLE	12/10/91
APPROVED BY:	DATE:
John Liska	12/10/91

DRAWING TITLE:
Vinyl Insulated Butted Seam Female Disconnects

SIZE	DWG. NO.	ELECTRONIC FILE	REV
A	TA-448	TA-448.dwg	C
SCALE: NTS	U.O.M.: INCHES [mm]	SHEET: 1 OF 1	