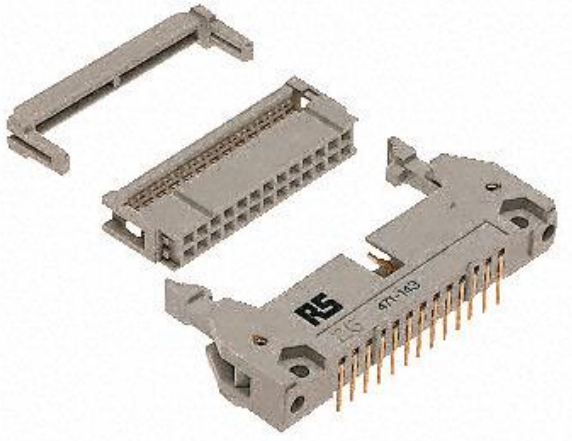


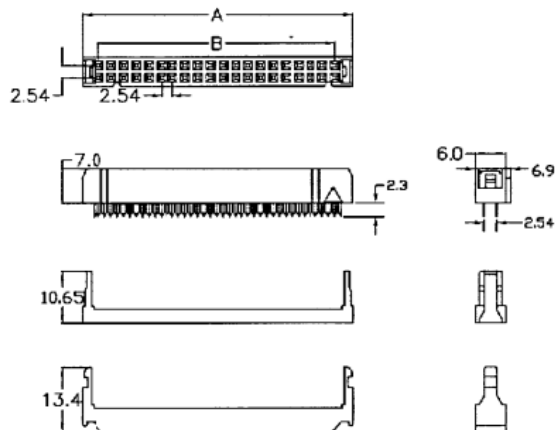
# Datasheet

## 50 way universal IDC cable

RS Stock number 471-250



### Dimensions: (mm)



### Specifications

- Contact: Phosphor Bronze
- Plating: Gold plated over Nickel
- Insulator Material: PBT & Glass-Fibre Reinforced
- Colour : Grey UL94V-O
- Current Rating: 1 Amp DC Max
- Insulator Resistance: 100CM ohm Min at 500V DC
- Contact Resistance: 30m ohm Max, at 6V DC 300mA
- Dielectric withstanding voltage: 500V AC for ne minute
- Operating Temperature: - 55°C ~ 105°C