

Datasheet

4PDT Non-Latching Relay, 12 A, 240V ac

RS Stock number 613-3796



- Large capacity 12A of general purpose relay.
- SPDT/SPNO and DPDT/DPNO contact arrangement
- 3PDT contact arrangement.
- Epoxy sealed relays: (Optional)L.E.D. status lamp: Shows coil "ON" or "OFF" status, ideal in low light conditions. DC: bi-polar L.E.D.
- Push button: Allows for manual operation of relay without the need for coil power, ideal for field service personnel to test control circuits.
- UL pending.

Contact rating :

		BLY3-3C
Contact capacity resistive load (Cos. = 1)		12A 28VDC
		12A 240VAC
Motor	120V AC	1/3HP
	240V AC	1/2HP

Specifications :

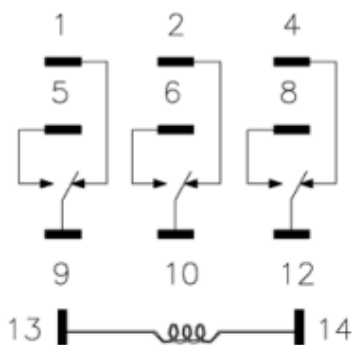
Contact resistance	50m Ω Maximum
Operate time	25mS maximum
Release time	25mS maximum
Insulation resistance	100M Ω minimum at 500VDC
Dielectric strength	Between open contact: 1000 VAC for 1 minute
	Coil to frame: 2200 VAC for 1 minute
	Contact to coil: 2200 VAC for 1 minute
	Pole to pole: 2200 VAC for 1 minute
Temperature (operating)	-45 °C to +55 °C(AC); -45 °C to +70 °C(DC)
Mechanical life	10,000,000 operations
Electrical life	100,000 operations
Contact material	AgNi10
Weight (approx.)	58g

Coil rating :

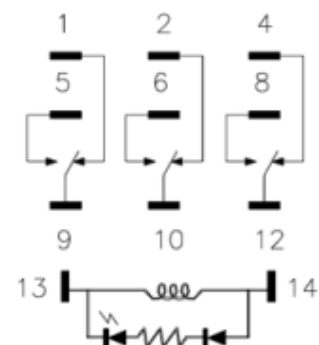
Rated Voltage (V)		Coil resistance (Ω)	Max. pull-in Voltage	Min. dropout voltage	Max. allowable Voltage	Power Consumption	
							±10% at 25°C
DC	3C	6	25	75 Max.	10 Min.	110 Max.	Approx. 1.5W
		12	100				
		24	400				
		48	1600				
		110	8500				
AC	3C	6	6	85 Max.	30 Min.	110 Max.	Approx. 2.5VA
		12	25.3				
		24	103				
		48	460				
		110	2200				
		120	2770				
		220/230	10800				
		240	12100				

Wire diagrams :

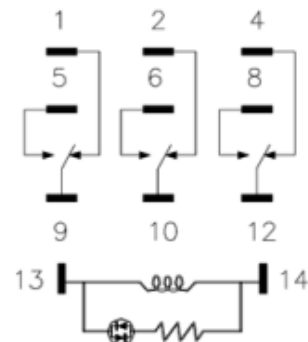
Standard styles



AC styles(with LED)

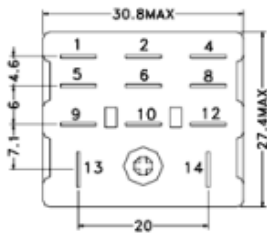
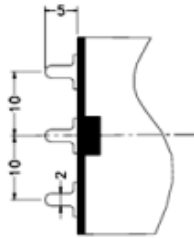


DC styles(with LED)

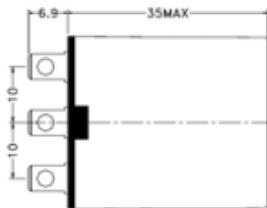


Dimensions :

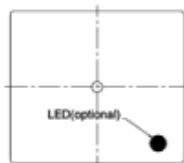
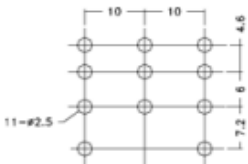
Plain cover style: P.C.B terminal (Code P)



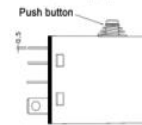
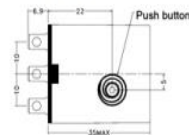
Solder (plug-in) terminal (Code S)



Printed circuit board layout



With push button:



How to order :

BLY3-3C-S L M -24VDC

- Coil voltage
- Options
 - M: Manual test button
 - L: Indicator lamp
- Construction style
 - S: Solder (plug-in) terminal
 - P: P.C.B terminal
- Contact arrangement
 - 3C: 3PDT
- Series