

Pin Headers

5.7mm, Straight, Double Row

multicomp PRO

**RoHS
Compliant**



Features and Advantages

- Power-dense design with high-current terminals, tight pitch and row spacing
Provides more power than other mid-range power products in the industry
- Positive locking housing
Ensures strong retention when receptacle and header are mated. Delivers an audible click to provide feedback that connector is fully mated
- Fully isolated header pins and receptacle terminals
Protects against potential damage during handling and mating

Specifications

Current Rating	: 12 to 21A AC/DC
Voltage Rating	: 600V AC/DC
Contact Resistance	: 30mΩ Max.
Insulation Resistance	: 1000MΩ Min.
Withstand Voltage	: 600V AC /minute
Operating Temperature	: -40°C to +105°C

Materials

Insulator	: LCP (UL94V-0)
Colour	: Black
Contact	: High Performance Alloy
Plating	: Gold or Matte Tin or Plated

Application

Home Appliance

Washers and Dryers
Heaters and Air Conditioners

Telecommunication/Networking

Hubs and Servers
Power Supplies and Distribution

Industrial

Machinery and Heavy Equipment
Lighting and Automation

Commercial Vehicle

Unsealed Electronic Control Modules
Power Converters

Newark.com/multicomp-pro
Farnell.com/multicomp-pro
sg.element14.com/b/multicomp-pro

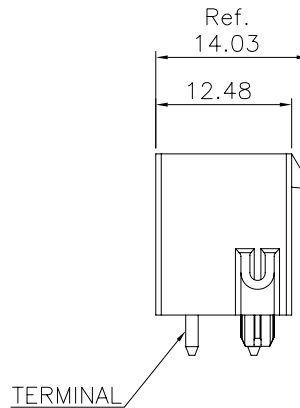
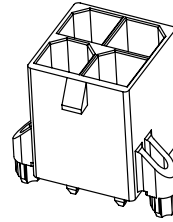
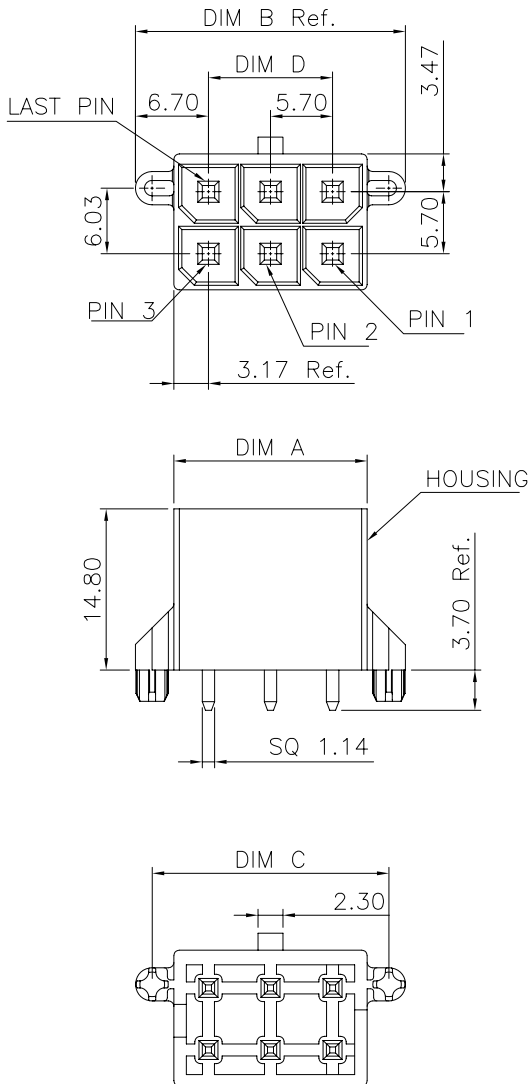
multicomp PRO

Pin Headers

5.7mm, Straight, Double Row

multicomp PRO

Diagram



Circuits	Dimensions			
	A	B	C	D
2 × 1	8.35	15.39	12.34	--
2 × 2	12.05	19.1	16.04	5.7
2 × 3	17.75	24.8	21.74	11.4
2 × 4	23.45	30.5	27.44	17.1
2 × 5	29.15	36.2	33.14	22.8
2 × 6	34.85	41.9	38.84	28.5

Dimensions : Millimetres

multicomp PRO

