



Datasheet

RS PRO Die cast zinc camlock with key, 20mm grip

Stock number: 1929655

EN



Description

Chrome plated die cast zinc 90 degree RH/LH cam action lock with key

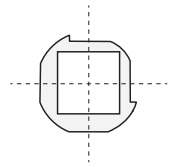
Material

Chrome plated die cast zinc

IP rating

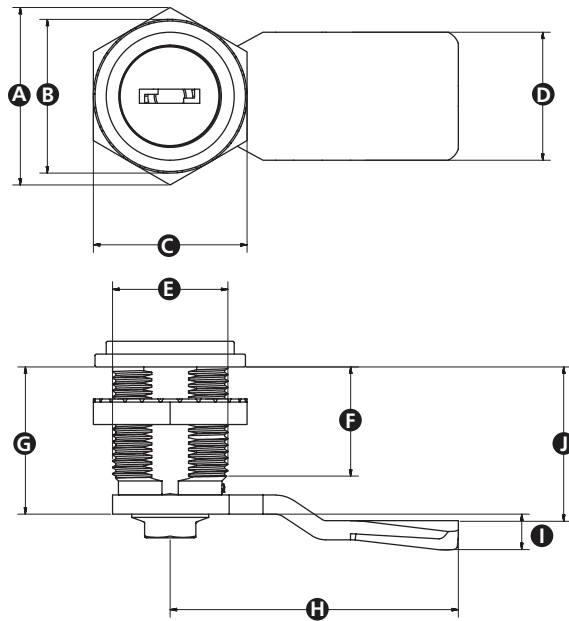
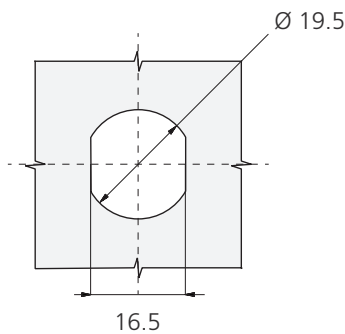
IP54: Dust protected / Protected against splashing water

Fitting direction



Integral device allows switching between right and left hand installation

Cut out



Part no.	A	B	C	D	E	F	G	H	I	J	Key type	Material
1929655	28	24	24	20	18	17	23	45	5.5	24	With key	Die cast zinc